

TBi Plasma Ersatzteile TBi Plasma Consumables



**Ersatzteile passend für:****Replacement parts suitable for:**

AUTOGENRITTER® _____	Seite/page 19
BINZEL® _____	Seite/page .. 21-24
CEBORA® _____	Seite/page .. 25-30
DINSE® _____	Seite/page 19
EUROPLASMA® _____	Seite/page 438
ESAB® / L-TEC® _____	Seite/page 7-9
FRO® _____	Seite/page .. 16-17
HOBART® _____	Seite/page 25
HYPERTHERM® _____	Seite/page 2-7
KOMATSU® _____	Seite/page 10
MESSER GRIESHEIM® _____	Seite/page 18
MILLER® _____	Seite/page .. 12-14
OTC® _____	Seite/page .. 14-15
PANASONIC® _____	Seite/page 16
P-TRON® _____	Seite/page 14
REHM® _____	Seite/page 20+37-38
SAF® _____	Seite/page .. 16-17
SMITH® / MERKLE® _____	Seite/page 20
TRAFIMET® _____	Seite/page .. 31-38
UNION CARBIDE® _____	Seite/page 9
W.T.C.® _____	Seite/page 20

Zirkelheiten

CIRCLE CUTTING ATTACHMENTS _____	Seite/page .. 39-40
----------------------------------	---------------------

Zentralanschlüsse

CENTRAL ADAPTORS _____	Seite/page 41
------------------------	---------------------

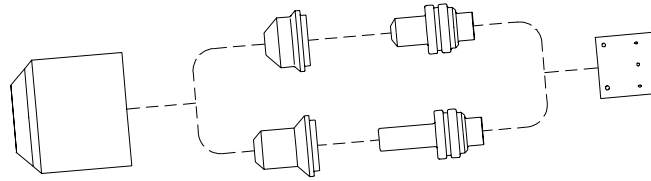
Plasmaflansch mit Sicherheitsabschaltung

SAFETY KIT _____	Seite/page 42
------------------	---------------------

Ersatzteile passend für: Replacement parts suitable for:

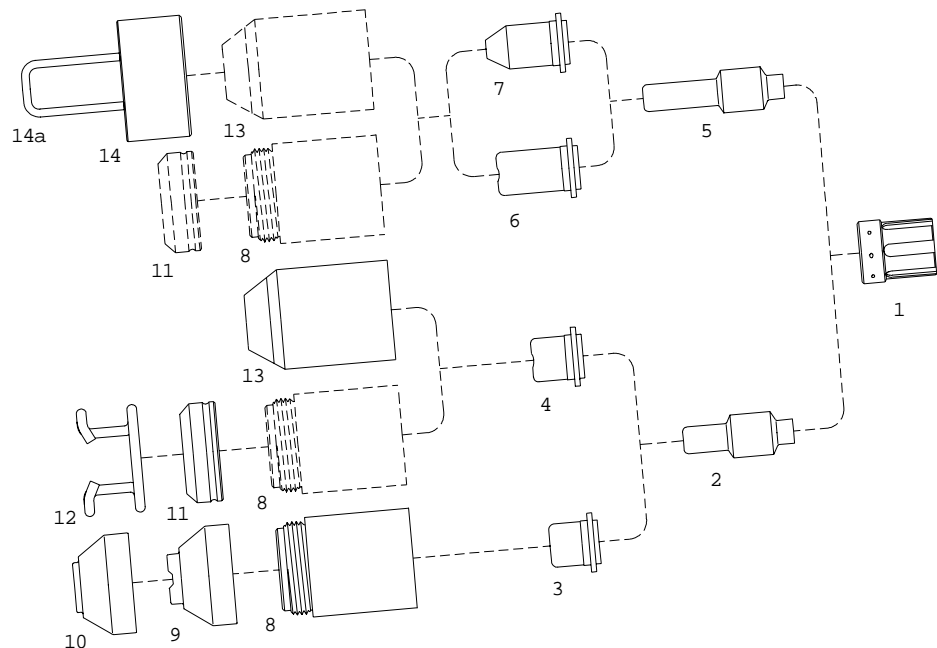


HYPERTHERM® MAX 20®



Pos.	Part No.	Ref. No.	Bezeichnung	Description
1	441P884199	020239	Luftverteiler	Swirl ring
2	441P884200	020220	Elektrode HF	Electrode HF
3	441P884210	020299	Plasmaduese 0.73mm-.029	Plasma tip 0.73mm-.029
4	441P884215	020382	Elektrode lang, HF	Electrode long, HF
5	441P884216	020381	Plasmaduese, lang	Plasma tip long, HY
6	441P884217	020218	Schutzkappe	Nozzle retaining cap

HYPERTHERM® POWERMAX 800®



Pos.	Part No.	Ref. No.	Bezeichnung	Description
1	441P884418	020361	Luftverteiler	Swirl ring
2	441P884781	120573	Elektrode, HF	Electrode, HF
3	441P884783	120438	Plasmaduese 40 A	Plasma tip 40 A
3	441P884771	120282	Plasmaduese 50 A	Plasma tip 50 A
4	441P884422	020395	Plasmaduese 1.06mm	Plasma tip 1.06mm
5	441P884780	120574	Elektrode lang, HF	Electrode long, HF
6	441P884772	120304	Plasmaduese, lang	Plasma tip, long
7	441P884773	120305	Plasmaduese, konisch	Plasma tip, conical
8	441P884774	120301	Schutzkappe	Nozzle retaining cap
9	441P884775	120283	Abstandshalter	Drag shield
10	441P884776	120326	Abstandshalter	Machine shield
11	441P884778		Federhalter	Spring holder protection nut
12	441P884784		Abstandsfeder	Spacer spring
13	441P884427	020930	Schutzkappe, konisch	Nozzle retaining cap, conical
14	441P884782		Abstandshalter mit Federn	Spacer cpl. with springs
14a	441P070041		Erstzfedern fuer 441P884782	Spare springs for 441P884782

TBI is in no way affiliated with HYPERTHERM®. The parts advertised for sale are not genuine HYPERTHERM® parts, but are parts made for and by TBI Reference to HYPERTHERM® machine, torches and numbers are for your convenience only. We reserve the right to substitute genuine HYPERTHERM® parts in place of TBI parts.

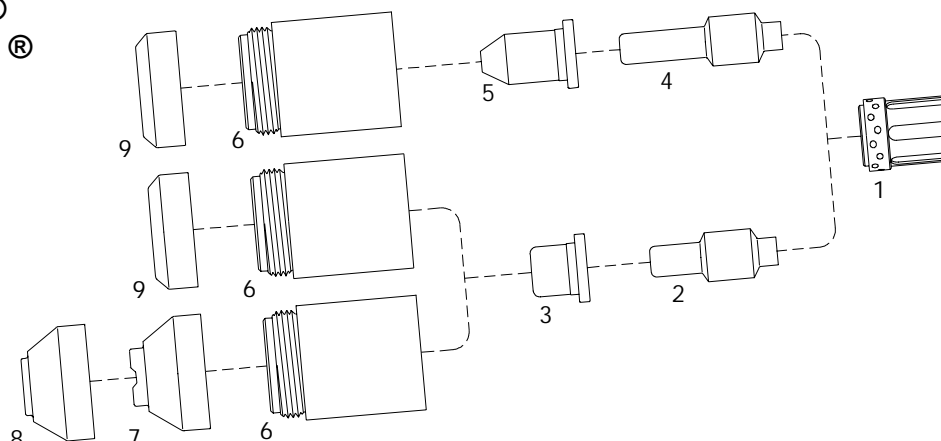


**Ersatzteile passend für:
Replacement parts suitable for:**

PRL_04/01

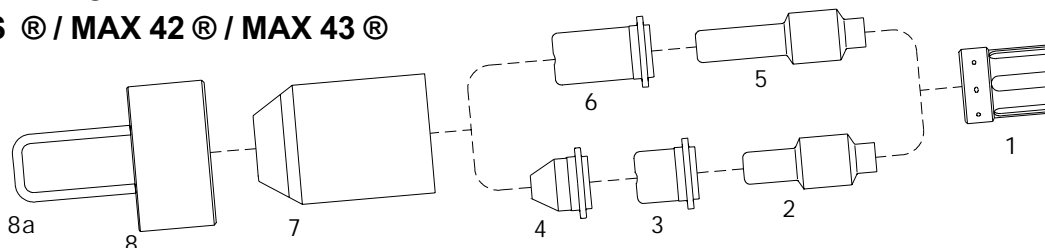
Seite / Page
3

**HYPERTHERM®
POWERMAX 900®**



Pos.	Part No.	Ref. No.	Bezeichnung	Description
1	441P884785	120576	Luftverteiler	Swirl ring
2	441P884781	120573	Elektrode, HF	Electrode, HF, long life
3	441P884786	120577	Plasmaduese 55A	Plasma tip 55A
4	441P884780	120574	Elektrode lang, HF	Electrode long, HF
5	441P884787	120606	Plasmaduese 35A	Plasma tip 35A, long
5	441P884788	120578	Plasmaduese 55A	Plasma tip 55A
6	441P884789	120600	Schutzkappe	Nozzle retaining cap
7	441P884775	120601	Abstandshalter	Drag shield
8	441P884776	120602	Abstandshalter	Machine shield
9	441P884779	120303	Federhalter	Spring holder protection nut

**HYPERTHERM®
MAX 40CS® / MAX 42® / MAX 43®**

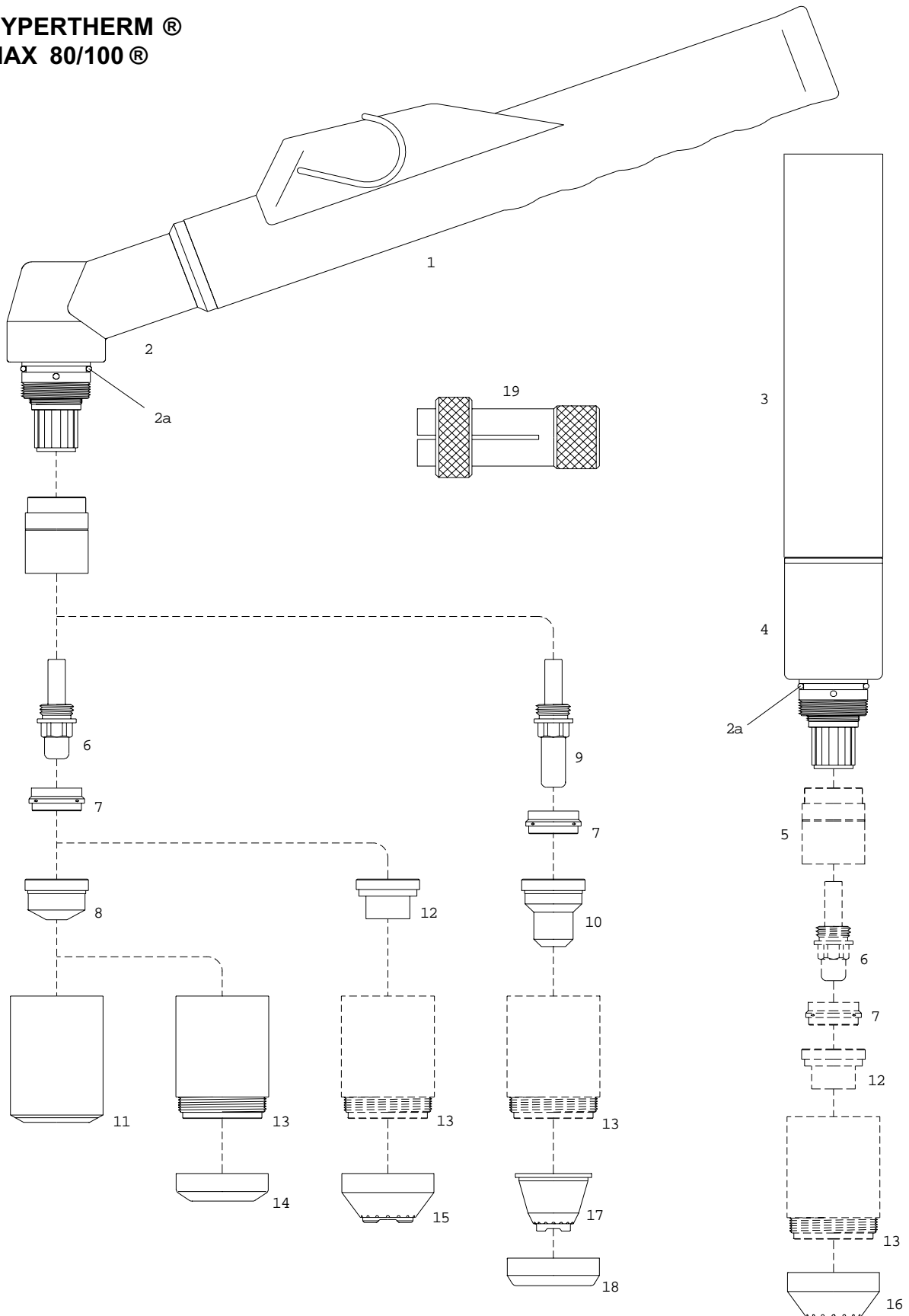


Pos.	Part No.	Ref. No.	Bezeichnung	Description
1	441P884418	020361	Luftverteiler	Swirl ring
2	441P884781	120573	Elektrode, HF	Electrode, HF
3	441P884421	020350	Plasmaduese 0.96mm-.038	Plasma tip 0.96mm-.038
3	441P884422	020395	Plasmaduese 1.06mm	Plasma tip 1.06mm
4	441P884426	020542	Plasmaduese, konisch	Plasma tip conical
5	441P884780	120574	Elektrode lang, HF	Electrode long, HF
6	441P884425	020546	Plasmaduese lang,0.96mm	Plasma tip long,0.96mm-.038
7	441P884427	020930	Schutzkappe, konisch	Nozzle retaining cap conical
8	441P884782		Abstandshalter mit Federn	Spacer cpl. with springs43/800
8a	441P070041		Erstzfedern fuer 441P884782	Spare springs for 441P884782

TBi is in no way affiliated with HYPERTHERM®. The parts advertised for sale are not genuine HYPERTHERM® parts, but are parts made for and by TBi Reference to HYPERTHERM® machine, torches and numbers are for your convenience only. We reserve the right to substitute genuine HYPERTHERM® parts in place of TBi parts.



**HYPERTHERM®
MAX 80/100®**



TBI is in no way affiliated with HYPERTHERM®. The parts advertised for sale are not genuine HYPERTHERM® parts, but are parts made for and by TBI Reference to HYPERTHERM® machine, torches and numbers are for your convenience only. We reserve the right to substitute genuine HYPERTHERM® parts in place of TBI parts.



**Ersatzteile passend für:
Replacement parts suitable for:**

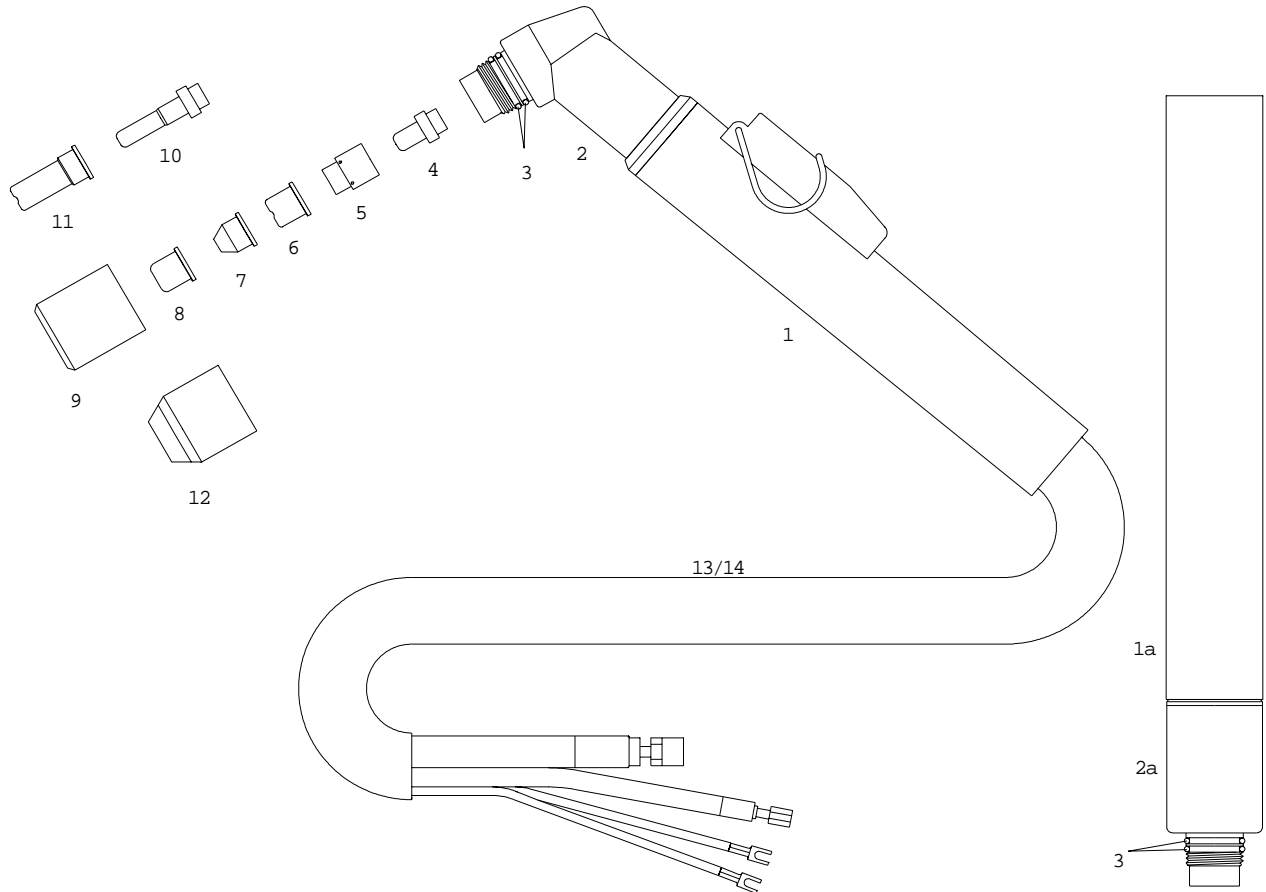
PRL_04/01

Seite / Page
5

HYPERTHERM® MAX 80/100®

Pos.	Part No.	Ref. No.	Bezeichnung	Description
	441P884H18	059076	Plasmabrenner MAX 100, 7.5m	Hand cutting torch MAX 100, 7.5m
	441P884H1G	059077	Plasmabrenner MAX 100, 15m	Hand cutting torch MAX 100, 15m
	441P884M18		Maschinenbrenner MAX 100, 7.5m	Machine cutting torch MAX 100, 7.5m
	441P884M1G		Maschinenbrenner MAX 100, 15m	Machine cutting torch MAX 100, 15m
			alle Brenner haben einen 1/2"-20G Anschluß	all torches have a 1/2"-20G machine connection
1	380P200394		Griffrohr kpl. 2 polig mit Mikroschalter	Handle tube cpl. with micro swith
2	441P884110	020189	Plasmabrennerkörper kpl. mit Griff	Torch body cpl. With handle
2a	365P190180	026018	O-Ring 19.00x1.80	O-Ring 19.00x1.80
3	441P884124	020245	Automaten Griffrohr	Handle tube
4	441P884111	020201	Maschinenbrennerkörper	Machine torch body
5	446P102003		Isolator fuer Brennerkopf	Front insulator
6	441P884115	120433	Elektrode HF	Electrode HF
			Ersatz fuer Elektrode 020191	replaces electrode 020191
7	441P884116	020194	Luftverteiler - Vespel®	Swirl ring - VESPEL®
8	441P884117	020203	Plasmaduese 1.00mm-.038	Plasma tip 1.00mm-.038
8	441P884118	020345	Plasmaduese 1.30mm-.052	Plasma tip 1.30mm-.052
8	441P884119	020195	Plasmaduese 1.50mm-.059	Plasma tip 1.50mm-.059
9	441P884126	020564	Elektrode lang, HF	Electrode long, HF
10	441P884133		Plasmaduese, lang 1.0-.038	Plasma tip, long 1.0-.038
10	441P884127	020563	Plasmaduese, lang 1.4-.055	Plasma tip, long 1.4-.055
11	441P884120	020184	Schutzkappe	Nozzle retaining cap
12	441P884129	020396	Kontaktduese 1.00mm-.038	Contact tip 1.00mm-.038
12	441P884121	020397	Kontaktduese 1.30mm-.052	Contact tip 1.30mm-.052
12	441P884128	020337	Kontaktduese 1.50mm-.059	Contact tip 1.50mm-.059
13	441P884122		Kontakt Schutzkappe, HD	Contact retaining cap, long live
13	441P884130	020336	Kontakt Schutzkappe, HD - Vespel®	Contact retaining cap, long live - VESPEL®
14	441P884134	020333	Abdeckung fuer Schutzkappe 441P884122	Deflector for nozzle retaining cap 441P88412
15	441P884131	020335	Abstandshalter zum Kontaktschneiden (H)	Spacer for contact cutting (hand)
16	441P884132	020334	Abstandshalter zum Kontaktschneiden (M)	Spacer for contact cutting (machine)
17	441P884140		Abstanshalter zum Kontaktschneiden	Spacer for contact cutting, hand
			fuer lange Plasmaduesen unter Pos. 10	for extented tip under pos. 10
18	441P884135		Verschlussmutter	Locking nut
19	441P010303		Werkzeug fuer Luftverteiler	Extractor for swirl ring

TBI is in no way affiliated with HYPERTHERM®. The parts advertised for sale are not genuine HYPERTHERM® parts, but are parts made for and by TBI Reference to HYPERTHERM® machine, torches and numbers are for your convenience only. We reserve the right to substitute genuine HYPERTHERM® parts in place of TBI parts.


HYPERTHERM®
MAX 40®


Pos.	Part No.	Ref. No.	Bezeichnung	Description
	441P884H28	057112	Plasmabrenner MAX 40, 7.5m	Hand cutting torch MAX 40, 7.5m
	441P884H2G	057113	Plasmabrenner MAX 40, 15m	Hand cutting torch MAX 40, 15m
	441P884M28		Maschinenbrenner MAX 40, 7.5m	Machine cutting torch MAX 40, 7.5m
	441P884M2G		Maschinenbrenner MAX 40, 15m	Machine cutting torch MAX 40, 15m
	alle Brenner haben einen 1/2"-20G Anschluß all torches have a 1/2"-20G machine connection			
1	380P200393		Griffrohr kpl. 2 polig mit Schalter	Handle tube cpl. with micro switch
1a	441P884452	020206	Griffrohr für Automatenbrenner	Handle tube for automatic head
2	441P884450	057114	Plasmabrennerkörper	Torch body
2a	441P884451	020114	Maschinenbrennerkörper	Machine torch body
3	365P156178	026016	O-Ring 15.60x1.78	O-Ring 15.60x1.78
4	441P101011	020103	Elektrode HF	Electrode HF
5	441P102001	020101	Luftverteiler	Swirl ring
6	441P102002	020115	Plasmaduese 1.0mm	Plasma tip 1.0mm
7	441P102012	020131	Plasmaduese 1.0mm (30A), (AUT)	Plasma tip 1.0mm (30A), (AUT)
8	441P884410	020102	Plasmaduese HD, MAX 40 (AUT)	Plasma tip HD, MAX 40 (AUT)
9	441P884404	020104	Schutzkappe	Nozzle retaining cap
10	441P101006	020467	Elektrode lang, HF	Electrode long, HF
11	441P102013	020466	Plasmaduese lang, 1.0mm	Plasma tip long, 1.0mm
12	441P884412	020200	Schutzkappe, konisch	Nozzle retaining cap, conical

TBi is in no way affiliated with HYPERTHERM®. The parts advertised for sale are not genuine HYPERTHERM® parts, but are parts made for and by TBI Reference to HYPERTHERM® machine, torches and numbers are for your convenience only. We reserve the right to substitute genuine HYPERTHERM® parts in place of TBI parts.

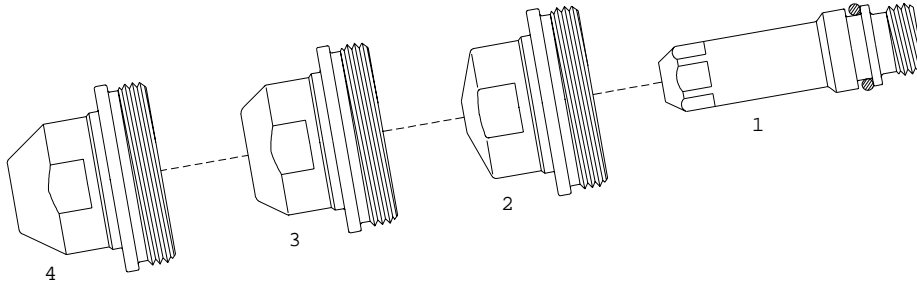


**Ersatzteile passend für:
Replacement parts suitable for:**

PRL_04/01

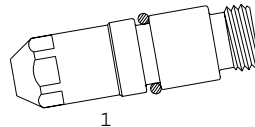
Seite / Page
7

**HYPERTHERM®
MAX 200®
HT-2000®**



Pos.	Part No.	Ref. No.	Bezeichnung	Description
1	441P884460	120667	Elektrode „long life“ - HF, Sauerstoff, ohne O-Ring Ersatz fuer 120664 und 020414	Electrode HF, Oxygen/Air w/o O-Ring replaces 120664 and 020414
2	441P884465	020689	Plasmaduese .038, Luft, (40A)	Plasma tip .038, Air, (40A)
3	441P884466	020616	Plasmaduese .055, O2, (100A), MAX 200®	Plasma tip .055, O2, (100A), MAX 200®
3	441P884461	020611	Plasmaduese .059, Air, N2,Ar/H, (100A)	Plasma tip .059, Air, N2,Ar/H, (100A)
4	441P884462	020608	Plasmaduese .086, Air, N2,Ar/H, (200A)	Plasma tip .086, Air, N2,Ar/H, (200A)
4	441P884463	020605	Plasmaduese .082, O2, (200A)	Plasma tip .082, O2, (200A)
4	441P884464	020690	Plasmaduese .055, O2, (100A) HT 2000®	Plasma tip .055, O2, (100A) HT 2000®

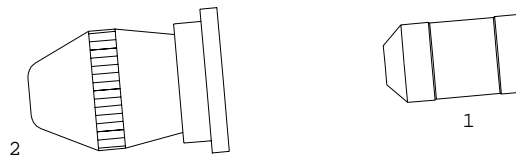
**HYPERTHERM®
HT 400®**



Pos.	Part No.	Ref. No.	Bezeichnung	Description
1	441P884470	020081	Elektrode „long life“ - HF, Sauerstoff, ohne O-Ring	Electrode HF, Oxygen, MAX 400 w/o O-Ring

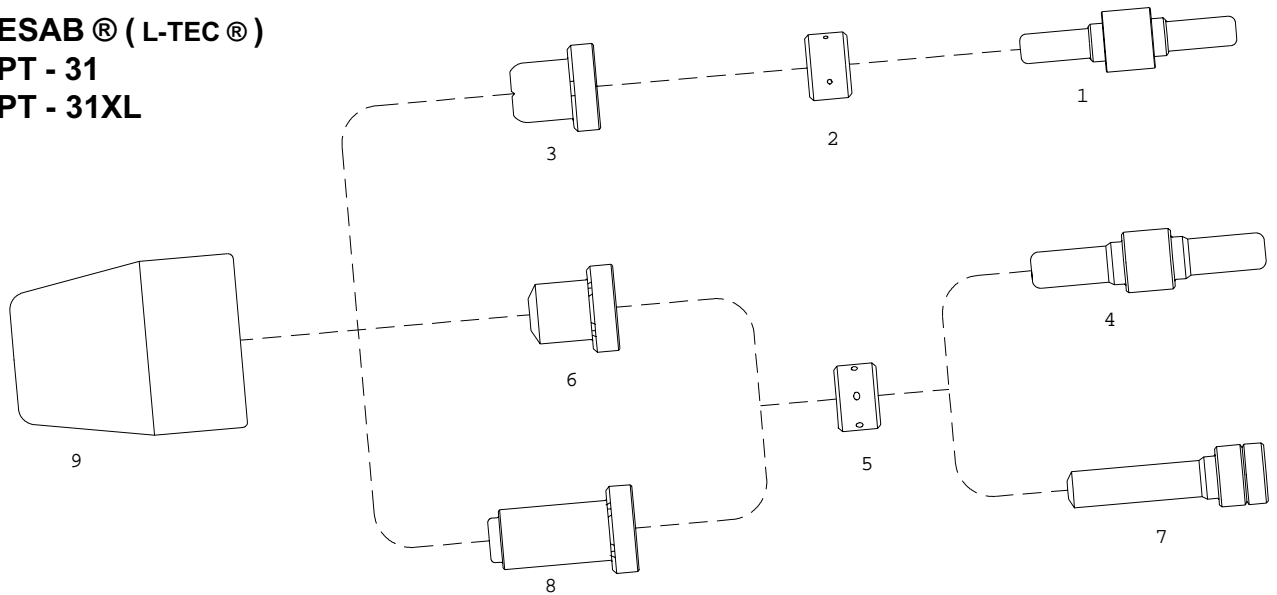
TBi is in no way affiliated with HYPERTHERM®. The parts advertised for sale are not genuine HYPERTHERM® parts, but are parts made for and by TBi Reference to HYPERTHERM® machine, torches and numbers are for your convenience only. We reserve the right to substitute genuine HYPERTHERM® parts in place of TBi parts.

**ESAB® (L-TEC®)
PT - 20**

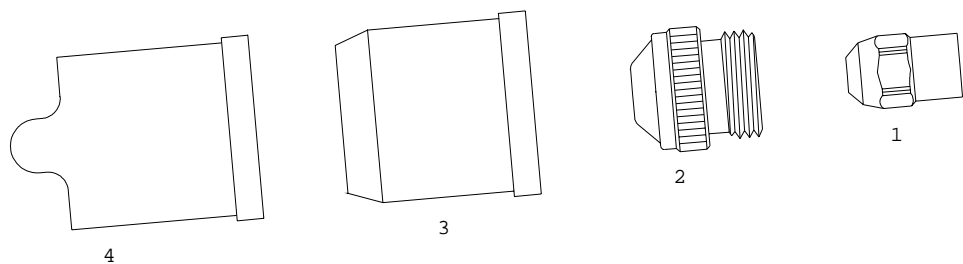


Pos.	Part No.	Ref. No.	Bezeichnung	Description
1	441P818160	21150	Elektrode HF	Electrode HF
2	441P818161	21330	Plasmaduese 1.00mm-.039 - 50A	Plasma tip 1.00mm-.039 - 50A
2	441P818162	21329	Plasmaduese 1.30mm-.051 - 70A	Plasma tip 1.30mm-.051 - 70A
2	441P818163	21328	Plasmaduese 1.50mm-.059 - 100A	Plasma tip 1.50mm-.059 - 100A

TBi is in no way affiliated with ESAB® -L-TEC®. The parts advertised for sale are not genuine ESAB® -L-TEC® parts, but are parts made for and by TBi Reference to ESAB® -L-TEC® machine, torches and numbers are for your convenience only. We reserve the right to substitute genuine ESAB® -L-TEC® parts in place of TBi parts.


ESAB® (L-TEC®)
PT - 31
PT - 31XL


Pos.	Part No.	Ref. No.	Bezeichnung	Description
1	441P818100	18205	Elektrode ZR	Electrode ZR
2	441P818101	18785	Luftverteiler mit 4 Loechern	Swirl baffle, 4 holes
3	441P818102	18866	Plasmaduese 1.0mm-.039 - 30A	Plasma tip, 4 stakes, 1.0mm-.039 - 30A
4	441P818104	19683	Elektrode HD, 30-50 A - HF	Electrode HD, 30-50A - HF
5	441P818105	20463	Luftverteiler mit 6 Loechern	Swirl baffle, 6 holes
6	441P818106	19682	Plasmaduese HD 0.96mm-.038 - 30A	Plasma tip HD 0.96mm-.038 - 30A
6	441P818107	20079	Plasmaduese 1.35mm-.053 - 50A	Plasma tip 1.35mm-.053 - 50A
7	441P818108	20862	Elektrode HF	Electrode HF
8	441P818109	20860	Plasmaduese 0.96mm-.038 - 30A	Plasma tip 0.96mm-.038 - 30A
8	441P818110	21008	Plasmaduese 1.07mm-.042 - 40A	Plasma tip 1.07mm-.042 - 40A
8	441P818111	20861	Plasmaduese 1.17mm-.046 - 50A	Plasma tip 1.17mm-.046 - 50A
9	441P818103	18204	Schutzkappe	Shield cup

ESAB® (L-TEC®)
PT - 17


Pos.	Part No.	Ref. No.	Bezeichnung	Description
1	441P818150	19918	Elektrode HF	Electrode HF
2	441P818151	19914	Plasmaduese 0.93mm-.037	Plasma tip 0.93mm-.037
2	441P818152	19915	Plasmaduese 1.16mm-.046	Plasma tip 1.16mm-.046
2	441P818153	19916	Plasmaduese 1.32mm-.052	Plasma tip 1.32mm-.052
2	441P818154	19917	Plasmaduese 1.44mm-.057	Plasma tip 1.44mm-.057
2	441P818155	20056	Plasmaduese 1.70mm-.067	Plasma tip 1.70mm-.067
3	441P818156	19124	Schutzkappe	Nozzle retaining cap
4	441P818157	19122	Hitzeschild	Heat shield - Drag

TBi is in no way affiliated with ESAB® -L-TEC®. The parts advertised for sale are not genuine ESAB® -L-TEC® parts, but are parts made for and by TBi Reference to ESAB® -L-TEC® machine, torches and numbers are for your convenience only. We reserve the right to substitute genuine ESAB® -L-TEC® parts in place of TBi parts.

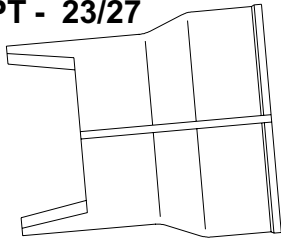


**Ersatzteile passend für:
Replacement parts suitable for:**

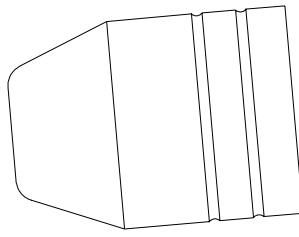
PRL_04/01

Seite / Page
9

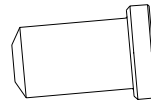
**ESAB® (L-TEC®)
PT - 23/27**



5



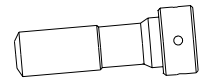
4



3



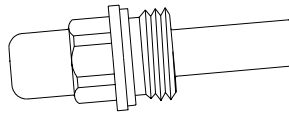
2



1

Pos.	Part No.	Ref. No.	Bezeichnung	Description
1	441P818130	33366	Elektrode HF	Electrode HF
2	441P818131	33367	Luftverteiler	Swirl ring
3	441P818132	33368	Plasmaduese 0.93mm-.037 - 30A	Plasma tip 0.93mm-.037 - 30A
3	441P818133	33369	Plasmaduese 1.16mm-.046 - 50A	Plasma tip 1.16mm-.046 - 50A
3	441P818134	33418	Plasmaduese 1.32mm-.052 - 80A	Plasma tip 1.32mm-.052 - 80A
4	441P818135	21616	Schutzkappe (PT 27)	Shield cup (PT 27)
5	441P818136	21420	Abstandskappe	Double pointed spacer

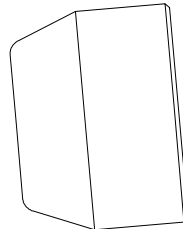
**ESAB® (L-TEC®)
LPC - 100**



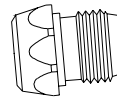
1

Pos.	Part No.	Ref. No.	Bezeichnung	Description
1	441P843001	46610005	Elektrode HF - Luft	Electrode HF - Air

**ESAB® (L-TEC®)
PT - 121**



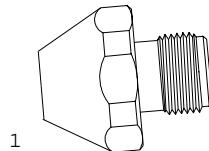
2



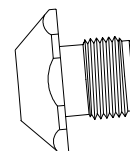
1

Pos.	Part No.	Ref. No.	Bezeichnung	Description
1	441P818170	17119	Plasmaduese 1.19mm-.047 - 50A	Plasma tip 1.19mm-.047 - 50A
1	441P818171	999263	Plasmaduese 1.42mm-.056 - 120A	Plasma tip 1.42mm-.056 - 120A
1	441P818173	999264	Plasmaduese 1.60mm-.062 - 150A	Plasma tip 1.60mm-.062 - 150A
2	441P818172	999261	Schutzkappe	Heat shield

**UNION CARBIDE®
PT/M - 100**



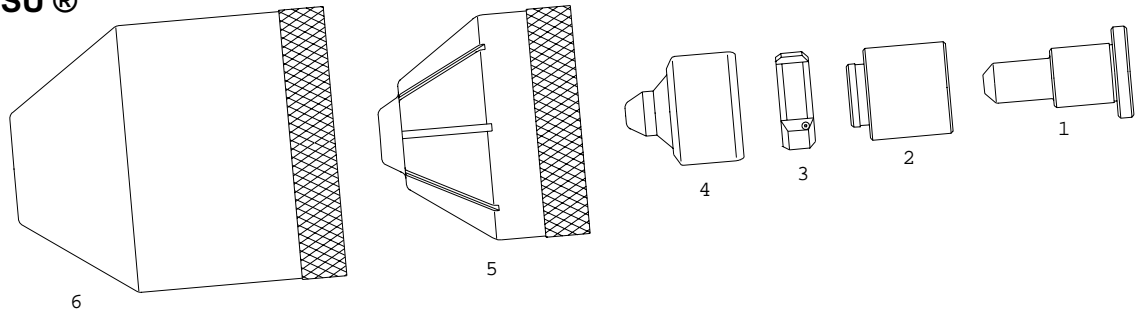
1



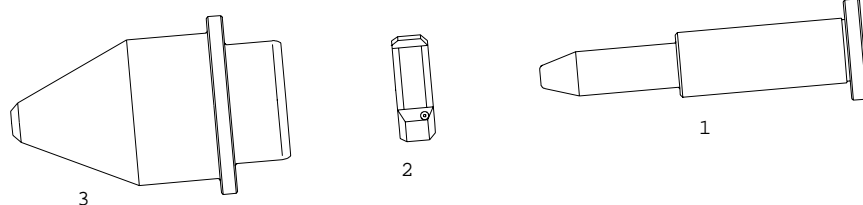
2

Pos.	Part No.	Ref. No.	Bezeichnung	Description
1	441P818001	1340343	Plasmaduese 1.4mm	Plasma tip 1.4mm
1	441P818002	1340369	Plasmaduese 1.6mm	Plasma tip 1.6mm
1	441P818003	1340370	Plasmaduese 2.0mm	Plasma tip 2.0mm
1	441P818004	1340328	Plasmaduese 1.4mm	Plasma tip 1.4mm
2	441P818005	1340329	Plasmaduese 1.6mm	Plasma tip 1.6mm
2	441P818006	1340370	Plasmaduese 2.5mm	Plasma tip 2.5mm

TBI is in no way affiliated with ESAB® -L-TEC®, UNION CARBIDE®. The parts advertised for sale are not genuine ESAB® -L-TEC®, UNION CARBIDE® parts, but are parts made for and by TBI Reference to ESAB® -L-TEC®, UNION CARBIDE® machine, torches and numbers are for your convenience only. We reserve the right to substitute genuine ESAB® -L-TEC®, UNION CARBIDE® parts in place of TBI parts.

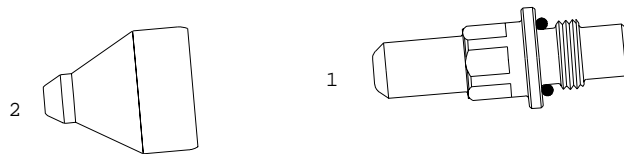

**KOMATSU®
G 940**


Pos.	Part No.	Ref. No.	Bezeichnung	Description
1	441P819001	7848-60-5330	Elektrode, HF	Electrode, HF
2	441P819002	7848-60-5350	Isolator	Insulator
3	441P819003	7848-60-5360	Luftverteiler	Swirl ring
4	441P819004	7848-60-5150	Plasmaduese 0.4mm	Plasma tip 0.4mm
4	441P819005	7848-60-5170	Plasmaduese 0.5mm	Plasma tip 0.5mm
4	441P819006	7848-60-5130	Plasmaduese 0.6mm	Plasma tip 0.6mm
4	441P819007	7848-60-5160	Plasmaduese 0.7mm	Plasma tip 0.7mm
5	441P819008	7848-60-5110	Konische Schutzkappe	Conical retaining cap
6	441P819009	7848-60-5310	Endkappe	End cap

**KOMATSU®
G 940 ROBOTIC**


Pos. 1+3 ab Mai 2001 verfügbar Item 1 + 3 available from May2001

Pos.	Part No.	Ref. No.	Bezeichnung	Description
1	441P819030	7848-60-4520	Elektrode, HD, HF	Electrode, HF - long life
2	441P819003	7848-60-5360	Luftverteiler	Swirl ring
3	441P819031	7848-60-5830	Plasmaduese 0.6mm	Plasma tip 0.6mm

**KOMATSU®
G 990**


Pos.	Part No.	Ref. No.	Bezeichnung	Description
1	441P819020	7848-65-5920	Elektrode, HD - HF	Electrode, long life - HF
2	441P819021	7848-65-5160	Plasmaduese 0.8mm	Plasma tip 0.8mm
3	441P819022	7848-65-5180	Plasmaduese 1.0mm	Plasma tip 1.0mm

TBi is in no way affiliated with KOMATSU®. The parts advertised for sale are not genuine KOMATSU® parts, but are parts made for and by TBi. Reference to KOMATSU® machine, torches and numbers are for your convenience only. We reserve the right to substitute genuine KOMATSU® parts in place of TBi parts.

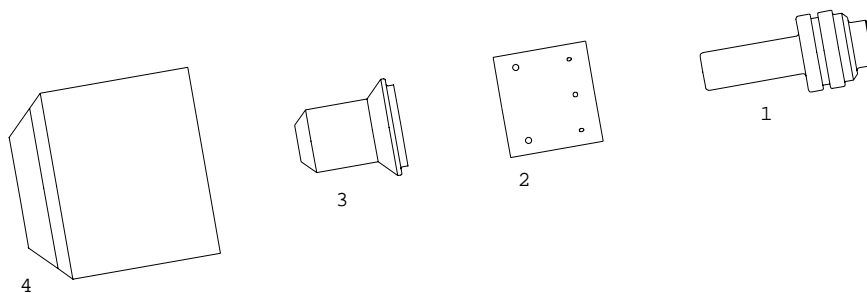


**Ersatzteile passend für:
Replacement parts suitable for:**

PRL_04/01

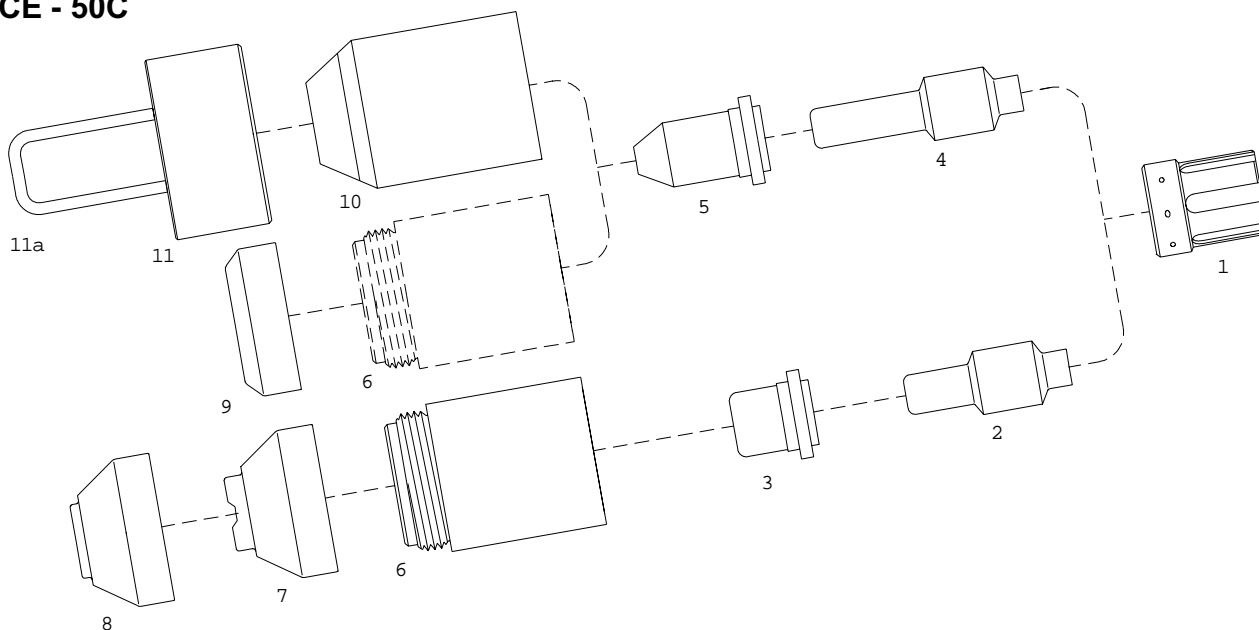
Seite / Page
11

**MILLER®
ICE - 25C**



Pos.	Part No.	Ref. No.	Bezeichnung	Description
1	441P884750	176655	Elektrode, HF	Electrode, HF
2	441P884751	176657	Luftverteiler - Vespel®	Swirl Ring - Vespel®
3	441P884752	176656	Plasmaduese 0.75mm - .030	Plasma tip 0.75mm - .030
4	441P884217	176658	Schutzkappe	Nozzle retaining cap

**MILLER®
ICE - 50C**

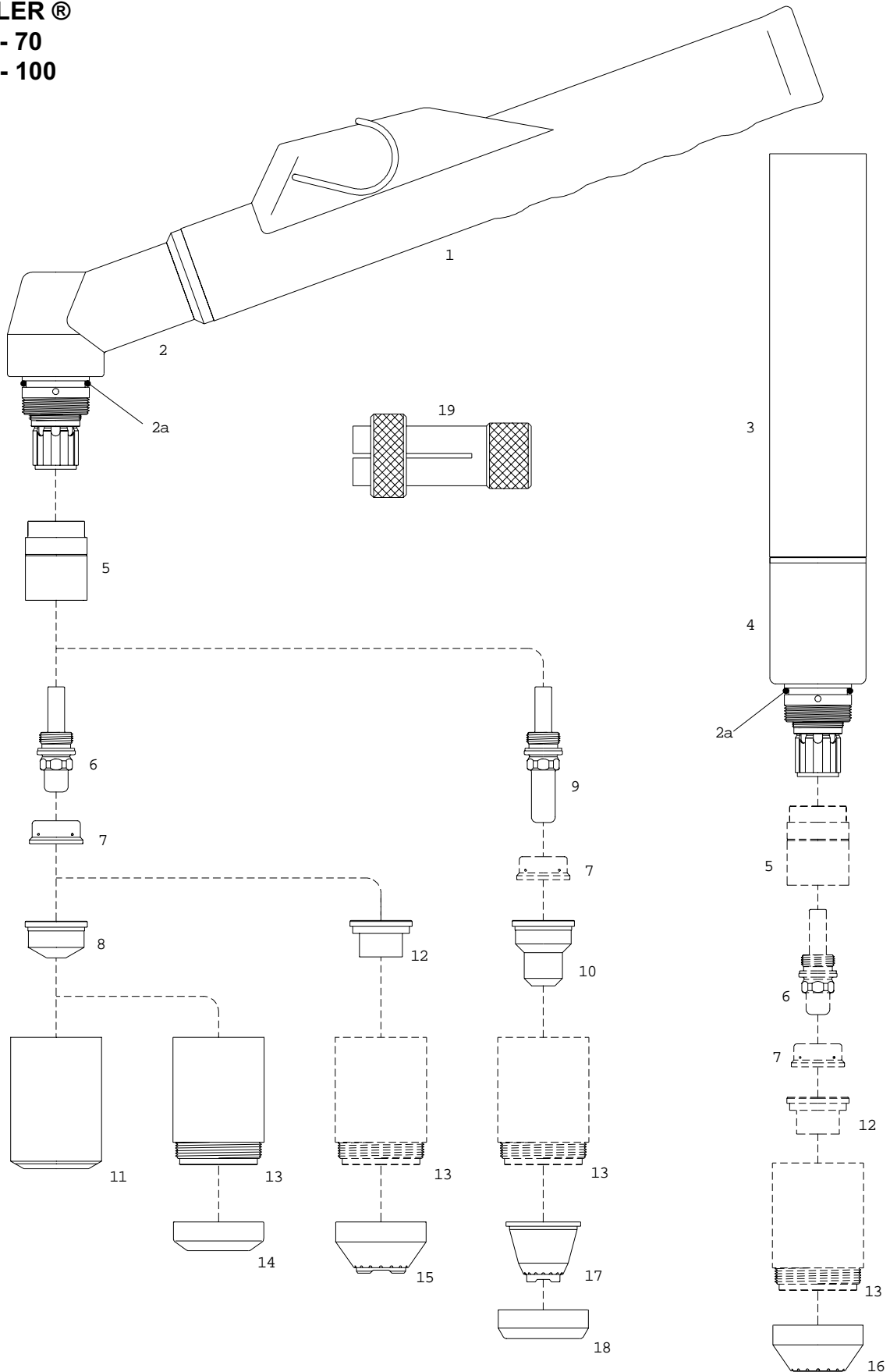


Pos.	Part No.	Ref. No.	Bezeichnung	Description
1	441P884418	177886	Luftverteiler - Vespel®	Swirl ring - Vespel®
2	441P884419	177875	Elektrode, HD - HF	Electrode HF, long life
3	441P884754	177890	Plasmaduese kurz, Standard	Plasma tip, standard
4	441P884417	180340	Elektrode lang, HD - HF	Electrode long, HF, long life
5	441P884755	177876	Plasmaduese lang	Plasma tip long
6	441P884756	177877	Schutzkappe	Nozzle retaining cap
7	441P884775	177887	Abstandshalter	Drag shield
8	441P884776	180341	Schutzkappe (Maschine)	Machine shield
9	441P884779	177888	Verschlussmutter	Deflector
10	441P884416		Schutzkappe	Nozzle retaining cap
11	441P884782		Abstandshalter mit Feder	Spacer cap. with springs
11a	441P070041		Abstandsfeder, fuer 441P884782	Spring for 441P884782

TBI is in no way affiliated with MILLER®. The parts advertised for sale are not genuine MILLER® parts, but are parts made for and by TBI. Reference to MILLER® machine, torches and numbers are for your convenience only. We reserve the right to substitute genuine MILLER® parts in place of TBI parts.



MILLER®
ICE - 70
ICE - 100





**Ersatzteile passend für:
Replacement parts suitable for:**

PRL_04/01

Seite / Page
13

MILLER® - ICE - 70 - ICE - 100

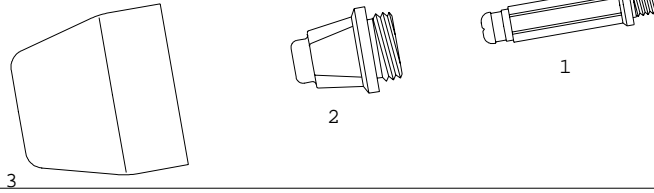
Pos.	Part No.	Ref. No.	Bezeichnung	Description
1	380P200394		Griffrohr kpl. 2 polig mit Mikroschalter	Handle tube cpl. with micro swith
2	441P884150	171257	Plasmabrennerkörper, kpl. mit Griff	Torch body, with handle
2a	365P190180		O-Ring 19.00x1.80	O-Ring 19.00x1.80
3	441P884124		Automaten Griffrohr	Handle tube
4	441P884151	171245	Maschinenbrennerkörper	Machine torch body
5	441P884152		Isolator - Vespel®	Front insulator - Vespel®
6	441P884141	169217	Elektrode HD - HF	Electrode HF, long life
7	441P884142	169222	Luftverteiler - Vespel®	Swirl ring - Vespel®
8	441P884143	169220	Plasmaduese 1.30mm-.052, (80A)	Plasma tip 1.30mm-.052, (80A)
8	441P884144	169227	Plasmaduese 1.50mm-.059, (100A)	Plasma tip 1.50mm-.059, (100A)
9	441P884145	173816	Elektrode HD - HF, lang,	Extended electrode, HF, long life
10	441P884146	173814	Plasmaduese 1.30mm-.052, lang	Plasma tip 1.30mm-.052, long
10	441P884147	173815	Plasmaduese 1.50mm-.059, lang	Plasma tip 1.50mm-.059, long
11	441P884120		Schutzkappe	Nozzle retaining cap
12	441P884148	169219	Kontaktduese, 1.30mm-.052, (80A)	Contact tip, 1.30mm-.052, (80A)
12	441P884149	169226	Kontaktduese, 1.50mm-.059, (100A)	Contact tip, 1.50mm-.059, (100A)
13	441P884122		Kontakt Schutzkappe	Contact retaining cap
13	441P884130	169223	Kontakt Schutzkappe - Vespel®	Contact retaining cap - Vespel®
14	441P884134	169225	Abdeckung fuer 441P884122	Deflector for 441P884122
15	441P884131	169224	Abstandshalter, Hand	Spacer for contact cutting, hand
16	441P884132	169230	Abstandshalter, Maschine	Shield cup, machine
17	441P884140		Abstanshalter zum Kontaktschneiden	Spacer for contact cutting, hand
			nur für Plasmaduesen lang, Pos. 10 for extended tips pos. 10 only	
18	441P884135		Verschlussmutter	Locking nut
19	441P010303		Werkzeug fuer Luftverteiler	Extractor for swirl ring

TBi is in no way affiliated with MILLER®. The parts advertised for sale are not genuine MILLER® parts, but are parts made for and by TBi. Reference to MILLER® machine, torches and numbers are for your convenience only. We reserve the right to substitute genuine MILLER® parts in place of TBi parts.

Ersatzteile passend für: Replacement parts suitable for:



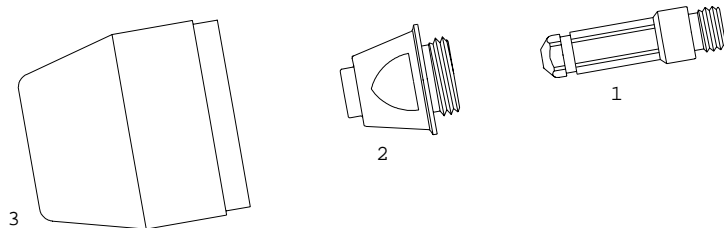
OTC® - M 3000 MILLER® - APT 3000



Pos.	Part No.	Ref. No.	Bezeichnung für OTC® - M 3000	Description for OTC® - M 3000
1	441P902010	H705F05	Elektrode, HF	Electrode, HF
2	441P902011	H705F04	Plasmaduese	Plasma tip
3	441P902012	H705F03	Schutzkappe	Nozzle retaining cap

Pos.	Part No.	Ref. No.	Bezeichnung für Miller® - APT 3000	Description for Miller® - ATP 3000
1	441P902010	H705F05	Elektrode, HF	Electrode, HF
2	441P902011	H705F04	Plasmaduese	Plasma tip

OTC® - D - 7000 - A50/A70 MILLER® - APT 5000/7000 P - TRON® - PZ100



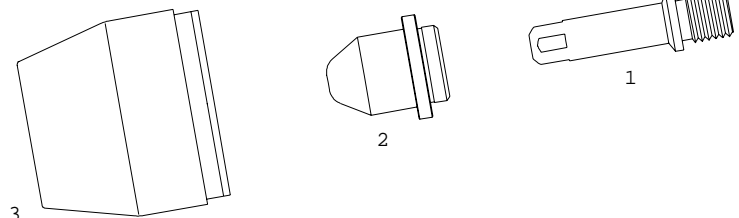
Pos.	Part No.	Ref. No.	Bezeichnung für OTC® - D 7000	Description for OTC® - D 7000
1	441P902001	H669G11	Elektrode HF	Electrode HF
2	441P902002	H669G06	Plasmaduese 1.0mm, S, 50A	Plasma tip 1.0mm, S, 50A
2	441P902003	H699G05	Plasmaduese 1.2mm, H, 70A	Plasma tip 1.2mm, H, 70A
3	441P902004	H669G04	Keramik Schutzkappe, D - 7000	Ceramic nozzle retaining cap, D - 7000
3	441P902005		Schutzkappe, A50/A70	Nozzle retaining cap, A50/A70

Pos.	Part No.	Ref. No.	Bezeichnung für Miller® - APT 5/7000	Description for Miller® - ATP 5000/7000
1	441P902001	123-899	Elektrode HF	Electrode HF
2	441P902002	123-898	Plasmaduese 1.0mm, S, 50A	Plasma tip 1.0mm, S, 50A
2	441P902003	134-338	Plasmaduese 1.2mm, H, 70A	Plasma tip 1.2mm, H, 70A
3	441P902004	123-897	Keramik Schutzkappe, D - 7000	Ceramic nozzle retaining cap, D - 7000

Pos.	Part No.	Ref. No.	Bezeichnung für P-TRON® - PZ 100	Description for P-TRON® -PZ 100
1	441P902001	25-8304	Elektrode HF	Electrode HF
2	441P902002	25-8303	Plasmaduese 1.0mm, S, 50A	Plasma tip 1.0mm, S, 50A
2	441P902003	25-8302	Plasmaduese 1.2mm, H, 70A	Plasma tip 1.2mm, H, 70A
3	441P902004	25-8301	Keramik Schutzkappe, D - 7000	Ceramic nozzle retaining cap, D - 7000

OTC® - D - 8000 MILLER® - APT 8000

TBi is in no way affiliated with OTC®-MILLER®-P-TRON®. The parts advertised for sale are not genuine OTC®-MILLER®-P-TRON® parts, but are parts made for and by TBI. Reference to OTC®-MILLER®-P-TRON® machine, torches and numbers are for your convenience only. We reserve the right to substitute genuine OTC®-MILLER®-P-TRON® parts in place of TBI parts.



Pos.	Part No.	Ref. No.	Bezeichnung für OTC® - D 8000	Description for OTC® - D 8000
1	441P902020	H839M00	Elektrode, HD - HF	Electrode HF - long life
2	441P902021	H839M00/T	Elektrode, HD - HF (Teflonisiert)	Electrode HF - long life (teflon wrapped)
2	441P902022	H767F01	Plasmaduese	Plasma tip
3	441P902023	H767J00	Schutzkappe	Nozzle retaining cap

Pos.	Part No.	Ref. No.	Bezeichnung für Miller® - APT 8000	Description for Miller® - ATP 8000
1	441P902020	125-039	Elektrode, HD - HF	Electrode HF - long life
2	441P902021	125-039/T	Elektrode, HD - HF (Teflonisiert)	Electrode HF - long life (teflon wrapped)
2	441P902022	125-038	Plasmaduese	Plasma tip
3	441P902023	125-040	Schutzkappe	Nozzle retaining cap

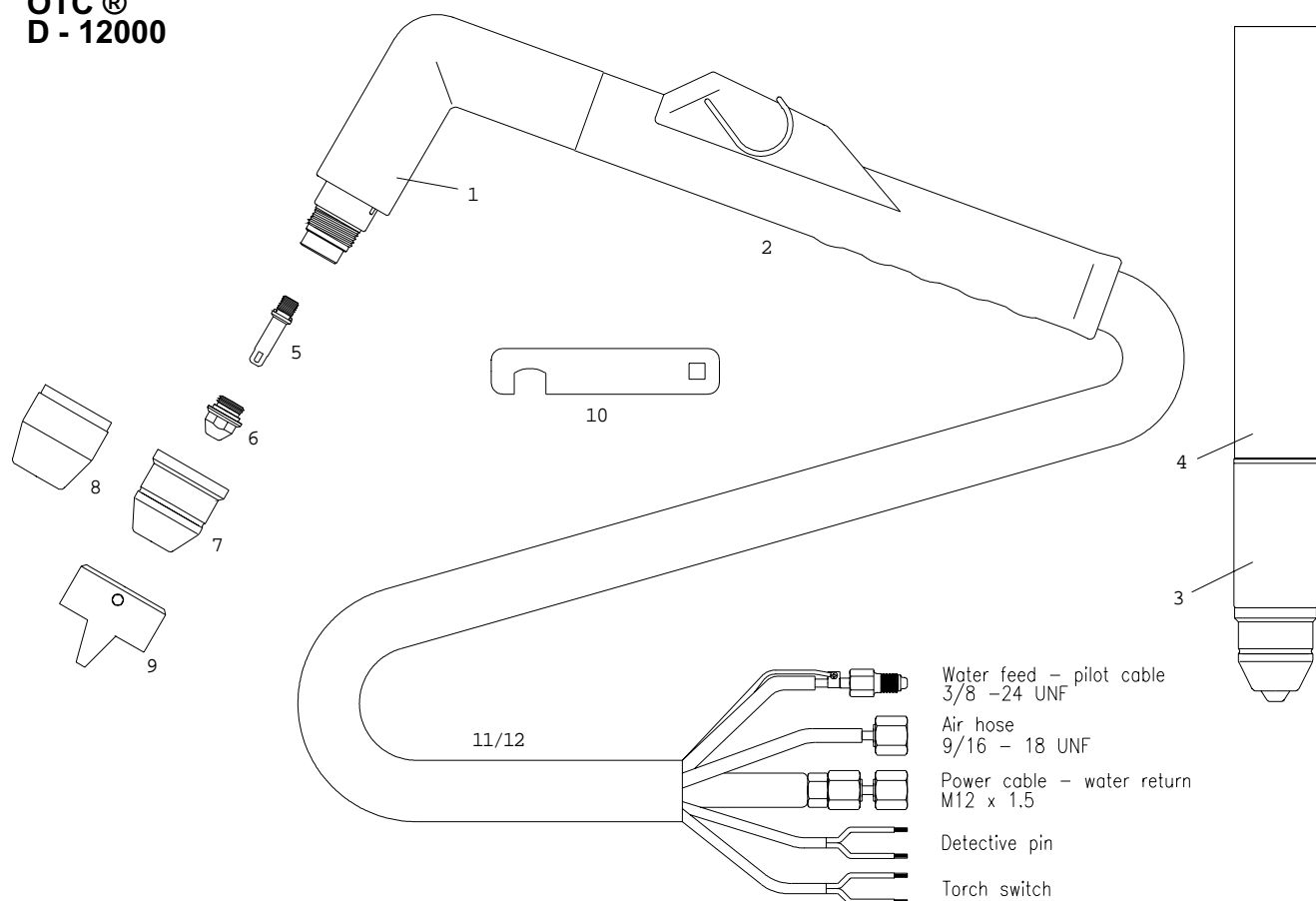


**Ersatzteile passend für:
Replacement parts suitable for:**

PRL_04/01

Seite / Page
15

**OTC®
D - 12000**

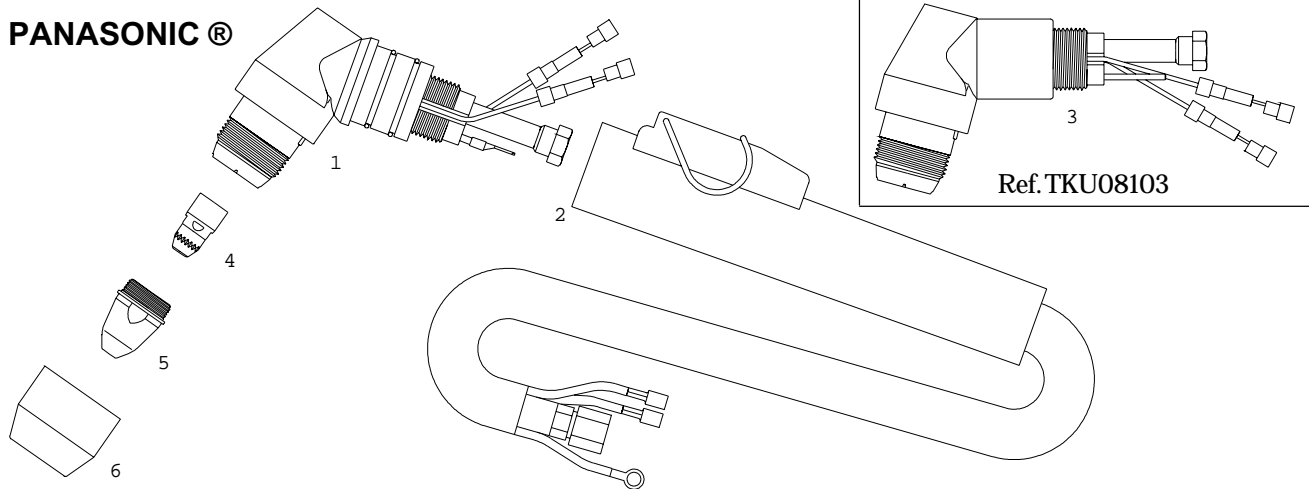


Pos.	Part No.	Ref. No.	Bezeichnung	Description
	448P902A06		Plasmabrenner D-12000, 6m EZ	Hand cutting torch D-12000, 6m SC
	448P902A12		Plasmabrenner D-12000, 12m EZ	Hand cutting torch D-12000, 6m SC
	448P902B06		Maschinenbrenner D-12000, 6m EZ	Machine cutting torch D-12000, 6m SC
	448P902B12		Maschinenbrenner D-12000, 12m EZ	Machine cutting torch D-12000, 12m SC
1	448P902010		Plasmabrennerkörper kpl. mit Griffrohr	Torch body cpl. with handle
2	380P200395		Handgriff kpl., mit Mikroschalter	Handle cpl., with micro switch
3	448P902015		Maschinenbrennerkörper	Machine torch body
4	441P884124		Automaten Griffrohr	Handle tube
5	441P902021 H839M00		Elektrode, HD - HF, (Teflonisiert)	Electrode, HF - long life (teflon wrapped)
6	448P902040 H839K03		Plasmaduese, (30 AMP) 0.8mm	Plasma tip, (30 AMP) 0.8mm
6	448P902041 H839K02		Plasmaduese, (50 AMP) 1.0mm	Plasma tip, (50 AMP) 1.0mm
6	448P902042 H839K01		Plasmaduese, (80 AMP) 1.3mm	Plasma tip, (80 AMP) 1.3mm
6	448P902043 H839G03		Plasmaduese, (120 AMP) 1.6mm	Plasma tip, (120 AMP) 1.6mm
7	448P902044		Keramische Schutzkappe	Ceramic shield cup
7	448P902048		Teflon Schutzkappe	Teflon nozzle retaining cap
8	448P902045 H839G02		Schutzkappe (für Original Brennerkopf)	Shield cup (for genuine torch head only)
9	448P902046		Kronenschutzkappe	Double pointed spacer
10	448P902047		Schlüssel fuer Duese und Elektrode	Key for tip and electrode
11	448P902006		Schlauchpaket 6m für Handbrenner	Cpl. Cable assy 6m for hand torch
11	448P90200C		Schlauchpaket 12m für Handbrenner	Cpl. Cable assy 12m for hand torch
12	448P902A06		Schlauchpaket 6m für Automatenbr.	Cpl. Cable assy 6m for machine torch
12	448P902A0C		Schlauchpaket 12m für Automatenbr.	Cpl. Cable assy 12m for machine torch

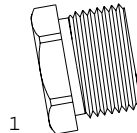
TBi is in no way affiliated with OTC®-MILLER®-P-TRON®. The parts advertised for sale are not genuine OTC®-MILLER®-P-TRON® parts, but are parts made for and by TBi. Reference to OTC®-MILLER®-P-TRON® machine, torches and numbers are for your convenience only. We reserve the right to substitute genuine OTC®-MILLER®-P-TRON® parts in place of TBi parts.



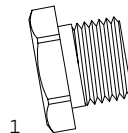
PANASONIC®



Pos.	Part No.	Ref. No.	Bezeichnung	Description
	441P936016		Plasmabrenner Panasonic, 6m, 9/16"	Hand torch Panasonic, 6m, 9/16"
	441P9360Z6		Plasmabrenner Panasonic, 6m, ZA	Hand torch Panasonic, 6m, CA
	441P93601C		Plasmabrenner Panasonic, 12m, 9/16"	Hand torch Panasonic, 12m, 9/16"
	441P9360ZC		Plasmabrenner Panasonic, 12m ZA	Hand torch Panasonic, 12m CA
1	441P936001		Plasmabrennerkörper	Torch body
2	380P200396 D=28MM		Handgriff mit Schalter	Handle cpl. with switch
3	441P936005 TKU08103		Plasmabrennerkörper für Original Griff	Torch body for original handle
4	441P936010 TET02033		Elektrode, HD - HF	Electrode, HF, long life
5	441P936011		Plasmaduese 1.0mm	Plasma tip 1.0mm
5	441P936013 TET01305		Plasmaduese 1.3mm	Plasma tip 1.3mm
5	441P936015 TET01507		Plasmaduese 1.5mm	Plasma tip 1.5mm
6	441P936020 TGN02004		Schutzkappe	Shield cup

SAF® P 30 D
FRO®

Pos.	Part No.	Ref. No.	Bezeichnung	Description
1	441P848070	2593861	Plasmaduese 1.5MM	Plasma tip 1.5MM
1	441P848071	2593853	Plasmaduese 1.8MM	Plasma tip 1.8MM
1	441P848072	2593846	Plasmaduese 2.0MM	Plasma tip 2.0MM
1	441P848073	2593838	Plasmaduese 2.5MM	Plasma tip 2.5MM
1	441P848074	2593820	Plasmaduese 3.0MM	Plasma tip 3.0MM

SAF® CP 200
FRO®

Pos.	Part No.	Ref. No.	Bezeichnung	Description
1	441P848080	2596252	Plasmaduese 1.5MM	Plasma tip 1.5MM
1	441P848081	2596260	Plasmaduese 1.8MM	Plasma tip 1.8MM
1	441P848082	2596278	Plasmaduese 2.0MM	Plasma tip 2.0MM
1	441P848083	2596286	Plasmaduese 2.5MM	Plasma tip 2.5MM
1	441P848084		Plasmaduese 3.0MM	Plasma tip 3.0MM

TBi is in no way affiliated with PANASONIC® SAF® FRO®. The parts advertised for sale are not genuine PANASONIC® SAF® FRO® parts, but are parts made for and by TBi. Reference to PANASONIC® SAF® FRO® machine, torches and numbers are for your convenience only. We reserve the right to substitute genuine PANASONIC® SAF® FRO® parts in place of TBi parts.

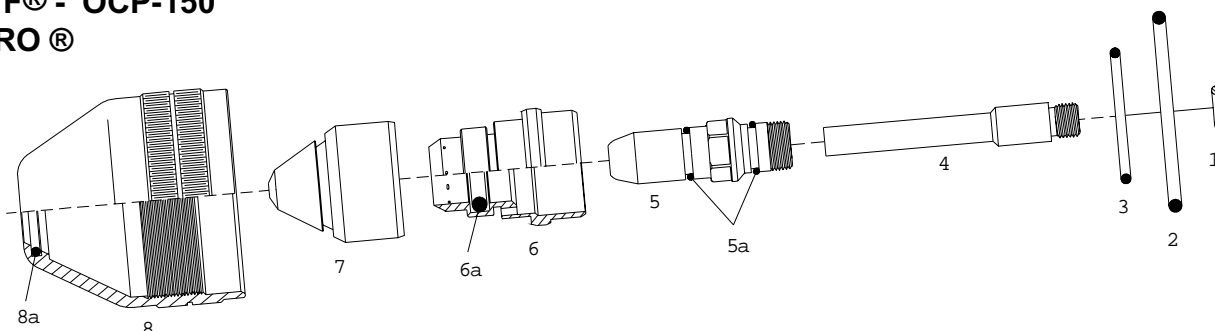


**Ersatzteile passend für:
Replacement parts suitable for:**

PRL_04/01

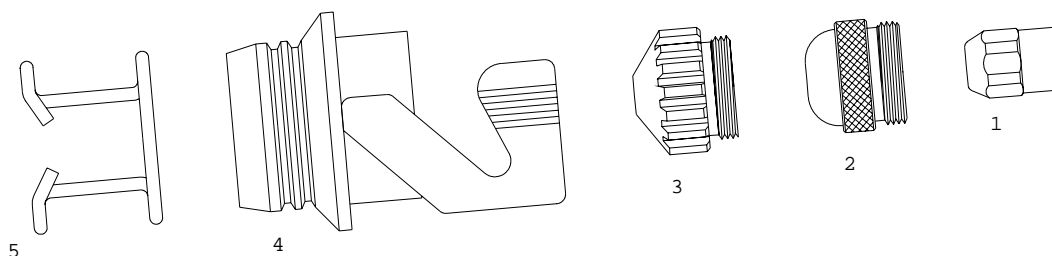
Seite / Page
17

**S F® - OCP-150
FRO®**



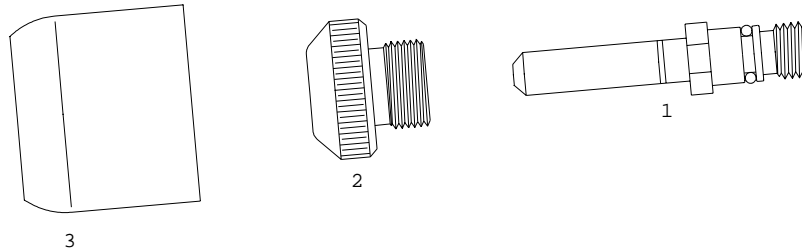
Pos.	Part No.	Ref. No.	Bezeichnung	Description
1	365P528178	0408-1238	O-Ring 5.28x1.78	O-Ring 5.28x1.78
2	365P361262	0408-1282	O-Ring 36.17x2.62	O-Ring 36.17x2.62
3	365P240020	0408-1284	O-Ring 24.00x2.00	O-Ring 24.00x2.00
4	441P848200	0409-2154	Luftverteiler	Diffusor
5	441P848201	0409-2184	Elektrode, HD - HF	Electrode, HF - long life
5a	365P080125	0408-1283	O-Ring 8.0x1.25	O-Ring 8.0x1.25
6	441P848202	0409-2170	Luftverteiler 60A (OCPVD6)	Swirl ring 60A (OCPVD6)
6	441P848203	0409-2169	Luftverteiler 120A (OCPVD15)	Swirl ring 120A (OCPVD15)
6a	365P100030	0409-2168	O-Ring 10.0x3.00	O-Ring 10.0x3.00
7	441P848204	0409-2171	Plasmaduese 0.5MM, 15A, OXY	Plasma tip 0.5MM, 15A, OXY
7	441P848205	0409-2173	Plasmaduese 0.7MM, 30A, OXY	Plasma tip 0.7MM, 30A, OXY
7	441P848206	0409-2174	Plasmaduese 0.8MM, 40A, OXY	Plasma tip 0.8MM, 40A, OXY
7	441P848207	0409-2176	Plasmaduese 1.0MM, 60A, OXY	Plasma tip 1.0MM, 60A, OXY
7	441P848208	0409-2183	Plasmaduese 1.3MM, 90A, OXY	Plasma tip 1.3MM, 90A, OXY
7	441P848209	0409-2186	Plasmaduese 1.6MM, 120A, OXY	Plasma tip 1.6MM, 120A, OXY
8	441P848210	0409-2166	Schutzkappe	Nozzle retaining cap
8a	365P150178	0409-2167	O-Ring 15.00x1.78	O-Ring 15.00x1.78

**SAF® CP 40 R - CP 100 R
FRO®**

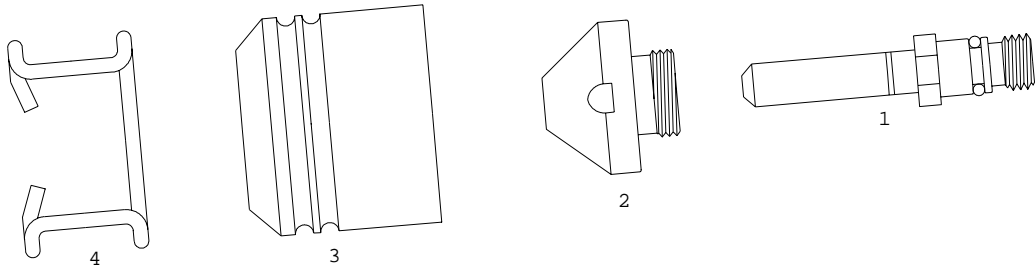


Pos.	Part No.	Ref. No.	Bezeichnung	Description
1	443P848000	0408-2051	Elektrode, ZR	Electrode, ZR
2	443P848011	0408-2404	Elektrode, HF	Electrode, HF
3	443P848010	0408-2052	Plasmaduese 1.0mm (20/40A)	Plasma tip 1.0mm (20/40A)
4	443P848001	0408-2261	Plasmaduese 1.0mm	Plasma tip 1.0mm
5	443P848002	0408-2262	Plasmaduese 1.2mm	Plasma tip 1.2mm
5a	443P848003	0408-2385	Plasmaduese 1.6mm	Plasma tip 1.6mm
6	441P848004	0408-2267	TN Schutzkappe fuer Abstandsfeder	TN Protection nozzle guide
6	441P848005	0408-2405	TI Keramik Schutzkappe	TI Ceramic assembly with bosses
6a	441P848006	0408-2268	TI Schutzkappe mit Abstandsfuessen	TI Ceramic guide
7	443P020047	0408-2053	Abstandsfeder	Spacer spring

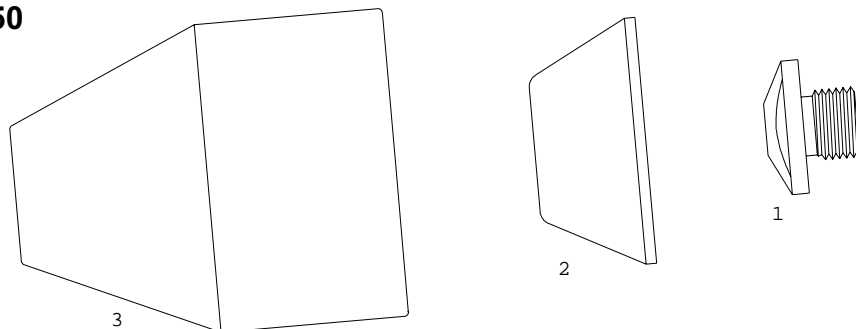
TBi is in no way affiliated with SAF® - FRO®. The parts advertised for sale are not genuine SAF® - FRO® parts, but are parts made for and by TBi. Reference to SAF® - FRO® machine, torches and numbers are for your convenience only. We reserve the right to substitute genuine SAF® - FRO® parts in place of TBi parts.


MESSER GRIESHEIM®
PCH 60


Pos.	Part No.	Ref. No.	Bezeichnung	Description
1	441P817001	753.03293	Elektrode HF	Electrode HF
2	441P817002	753.03311	Plasmaduese 1.0mm	Plasma tip 1.0mm
3	441P817003	753.03314	Schutzkappe	Nozzle retaining cap

MESSER GRIESHEIM®
PCH 95


Pos.	Part No.	Ref. No.	Bezeichnung	Description
1	441P817001	753.03293	Elektrode HF	Electrode HF
2	441P817030	753.03753	Plasmaduese 1.0mm	Plasma tip 1.0mm
2	441P817031	753.03754	Plasmaduese 1.2mm	Plasma tip 1.2mm
3	441P817032	753.03751	Schutzkappe	Nozzle retaining cap
4	443P020047	753.03777	Abstandsfeder	Spacer spring

MESSER GRIESHEIM®
PCH 100 / PCM 250


Pos.	Part No.	Ref. No.	Bezeichnung	Description
1	441P817010	445.292	Plasmaduese 1.0mm	Plasma tip 1.0mm
1	441P817011	445.291	Plasmaduese 1.4mm	Plasma tip 1.4mm
1	441P817012		Plasmaduese 1.6mm	Plasma tip 1.6mm
1	441P817013	445.327	Plasmaduese 2.0mm	Plasma tip 2.0mm
1	441P817015	445.261	Plasmaduese 2.5mm	Plasma tip 2.5mm
2	441P817014	445.278	Keramik Schutzkappe, PCH 100	Ceramic nozzle retaining cap, PCH 100
3	441P817016	445.259	Keramik Schutzkappe, PCH 250	Ceramic nozzle retaining cap, PCH 250

Tbi is in no way affiliated with MESSER GRIESHEIM®. The parts advertised for sale are not genuine MESSER GRIESHEIM® parts, but are parts made for and by Tbi. Reference to MESSER GRIESHEIM® machine, torches and numbers are for your convenience only. We reserve the right to substitute genuine MESSER GRIESHEIM® parts in place of Tbi parts.

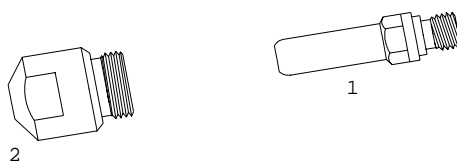


**Ersatzteile passend für:
Replacement parts suitable for:**

PRL_04/01

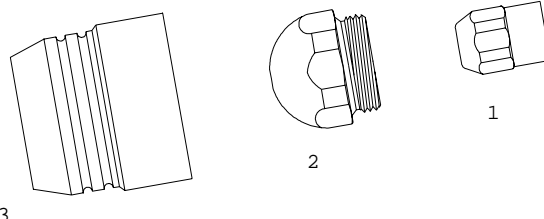
Seite / Page
19

**AUTOGEN RITTER ®
PHB 80**



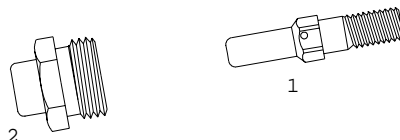
Pos.	Part No.	Ref. No.	Bezeichnung	Description
1	441P856001	408-02-00	Elektrode HF	Electrode HF
2	441P856002	408-04-10	Plasmaduese 1.0mm	Plasma tip 1.0mm
2	441P856003	408-04-12	Plasmaduese 1.2mm	Plasma tip 1.2mm
2	441P856004	408-04-14	Plasmaduese 1.4mm	Plasma tip 1.4mm

**AUTOGEN RITTER ®
PHB 120**



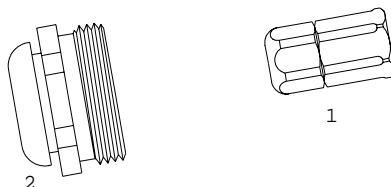
Pos.	Part No.	Ref. No.	Bezeichnung	Description
1	441P856100	412-0200	Elektrode HF	Electrode HF
2	441P856101	412-0410	Plasmaduese 1.0mm	Plasma tip 1.0mm
2	441P856102	412-0412	Plasmaduese 1.2mm	Plasma tip 1.2mm
2	441P856103	412-0414	Plasmaduese 1.4mm	Plasma tip 1.4mm
2	441P856104	412-0416	Plasmaduese 1.6mm	Plasma tip 1.6mm
3	441P856105	413-0500	Schutzkappe	Nozzle retaining cap

**DINSE ®
PX 50**



Pos.	Part No.	Ref. No.	Bezeichnung	Description
1	441P875001	DIX3-6-050	Elektrode HF	Electrode HF
2	441P875002	DIX2-6-010	Plasmaduese 1.0mm	Plasma tip 1.0mm
2	441P875003	DIX2-6-012	Plasmaduese 1.2mm	Plasma tip 1.2mm

**DINSE ®
PX 101**

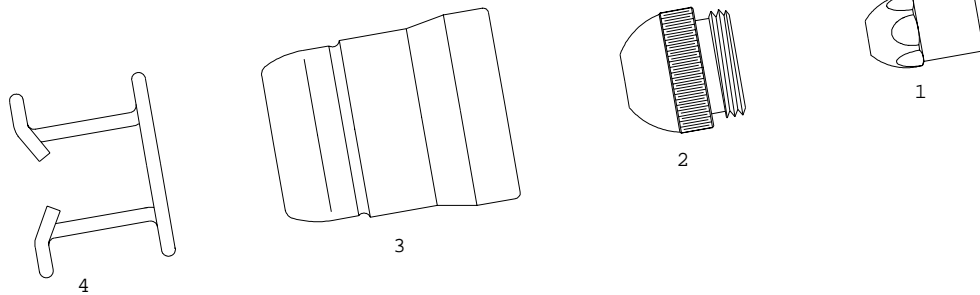


Pos.	Part No.	Ref. No.	Bezeichnung	Description
1	441P875009	DIX3-6-101	Elektrode HF	Electrode HF
2	441P875010	DIX2-6-112	Plasmaduese 1.2mm	Plasma tip 1.2mm
2	441P875011	DIX2-6-114	Plasmaduese 1.4mm	Plasma tip 1.4mm
2	441P875012	DIX2-6-116	Plasmaduese 1.6mm	Plasma tip 1.6mm

TBi is in no way affiliated with AUTOGEN RITTER®DINSE®. The parts advertised for sale are not genuine AUTOGEN RITTER®DINSE® parts, but are parts made for and by TBi. Reference to AUTOGEN RITTER® DINSE® machine, torches and numbers are for your convenience only. We reserve the right to substitute genuine AUTOGEN RITTER® DINSE® parts in place of TBi parts.

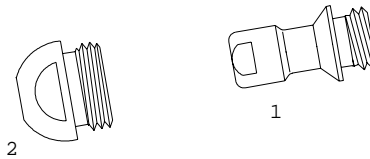


W.T.C.®



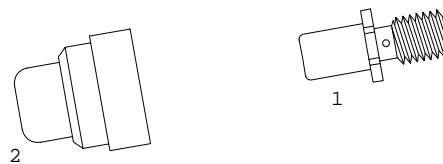
Pos.	Part No.	Ref. No.	Bezeichnung	Description
1	441P959001	0189-H	Elektrode HF	Electrode HF
2	441P959002	0702	Plasmaduese 1.0mm	Plasma tip 1.0mm
2	441P959003	0703	Plasmaduese 1.2mm	Plasma tip 1.2mm
2	441P959004	0704	Plasmaduese 1.4mm	Plasma tip 1.4mm
2	441P959005	0705	Plasmaduese 1.7mm	Plasma tip 1.7mm
2	441P959006	0764	Plasmaduese 2.0mm	Plasma tip 2.0mm
3	441P959007	0413	Schutzkappe, HD	Shield cup, long life
4	443P020047	0618	Abstandsfeder	Spacer spring

SMITH® - MERKLE®



Pos.	Part No.	Ref. No.	Bezeichnung	Description
1	441P871001	30808-5	Elektrode HF	Electrode HF
2	441P871002	30812-5	Plasmaduese 1.0mm	Plasma tip 1.0mm
2	441P871003	30813-5	Plasmaduese 1.2mm	Plasma tip 1.2mm
2	441P871004	30814-5	Plasmaduese 1.4mm	Plasma tip 1.4mm
2	441P871005	30815-5	Plasmaduese 1.6mm	Plasma tip 1.6mm
2	441P871006	30344-5	Plasmaduese 1.8mm	Plasma tip 1.8mm

REHM®



Pos.	Part No.	Ref. No.	Bezeichnung	Description
1	441P956001	4262.000	Elektrode ZR	Electrode ZR
2	441P956002	4260.030	Plasmaduese 1.0mm	Plasma tip 1.0mm

TBi is in no way affiliated with W.T.C.® SMITH® MERKLE® REHM®. The parts advertised for sale are not genuine W.T.C.® SMITH® MERKLE® REHM® parts, but are parts made for and by TBi. Reference to W.T.C.® SMITH® MERKLE® REHM® machine, torches and numbers are for your convenience only. We reserve the right to substitute genuine W.T.C.® SMITH® MERKLE® REHM® parts in place of TBi parts.

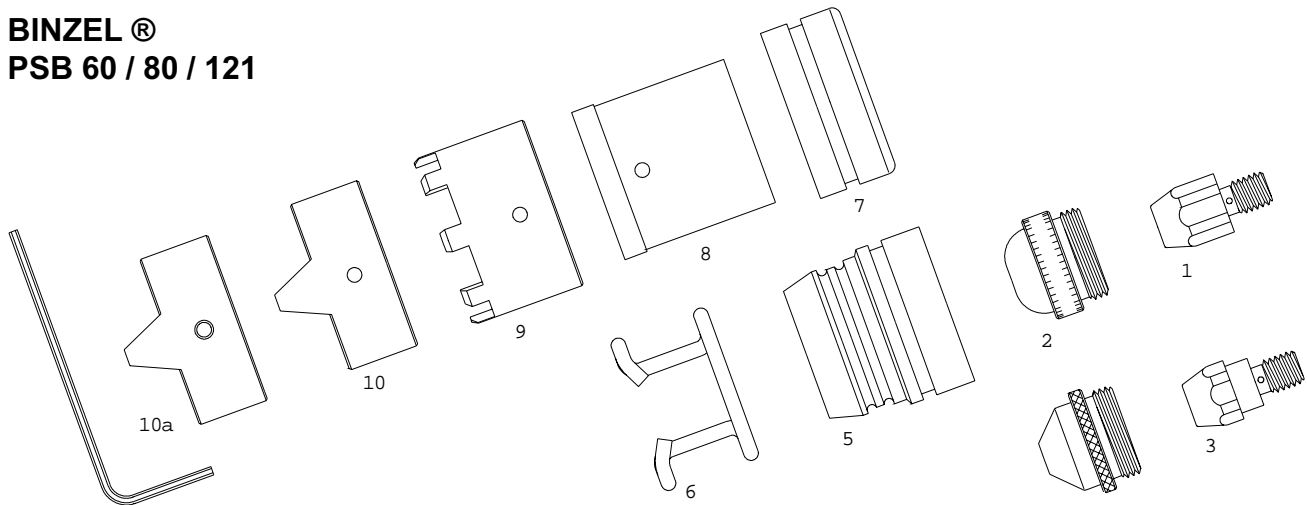


**Ersatzteile passend für:
Replacement parts suitable for:**

PRL_04/01

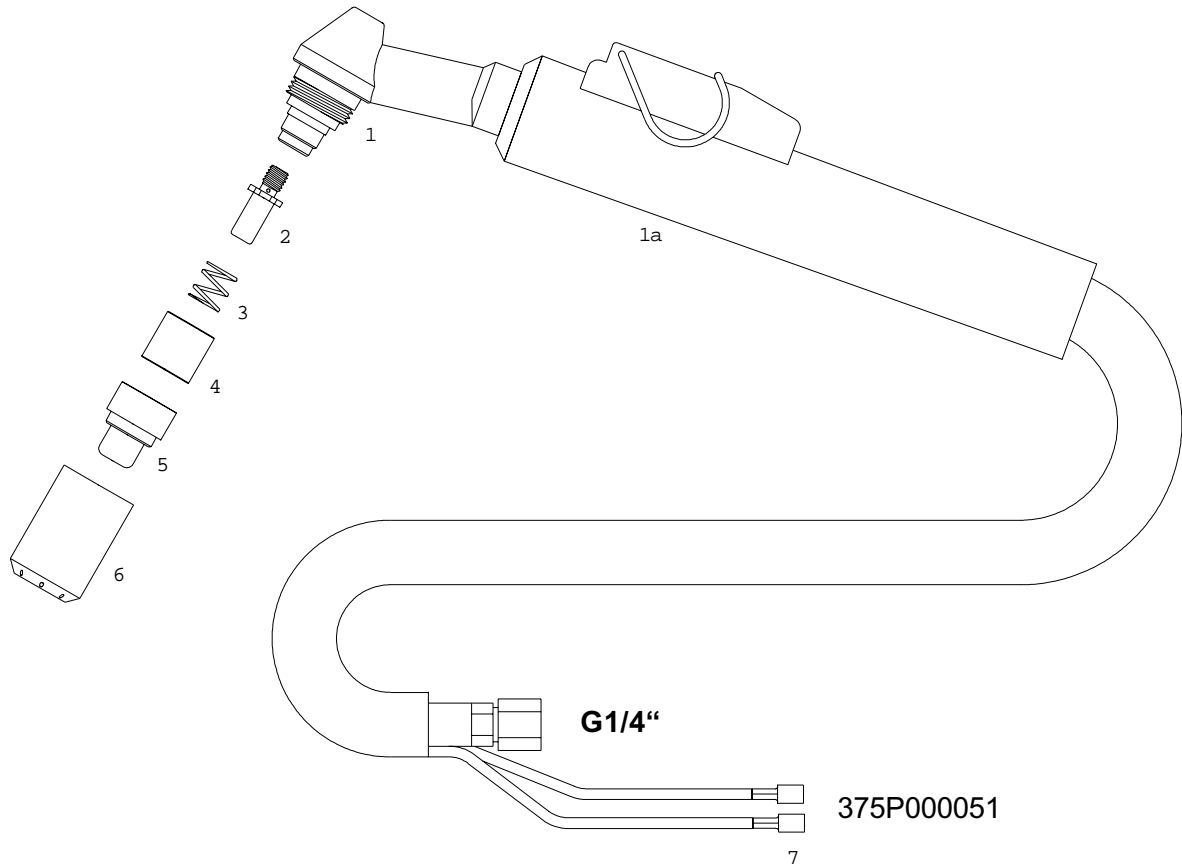
Seite / Page
21

**BINZEL®
PSB 60 / 80 / 121**



Pos.	Part No.	Ref. No.	Bezeichnung	Description
1	443P014014	743.0077	Elektrode, ZR, L=12.0mm	Electrode, ZR, L=12.0mm
1	443P014002	743.0067	Elektrode, HF, L=12.0mm	Electrode, HF, L=12.0mm
2	443P020006	743.0122	Plasmaduese 1.0mm	Plasma tip 1.0mm
2	443P020036	743.0142	Plasmaduese 1.3mm	Plasma tip 1.3mm
2	443P020016	743.0132	Plasmaduese 1.5mm	Plasma tip 1.5mm
2	443P020116	743.0209	Plasmaduese 1.8mm	Plasma tip 1.8mm
2	443P020140	743.0355	Plasmaduese 2.0mm	Plasma tip 2.0mm
3	443P910425	743.0425	Elektrode, ZR, L=12.0mm	Electrode, ZR, L=12.0mm
3	443P910426	743.0441	Elektrode, HF, L=12.0mm	Electrode, HF, L=12.0mm
4	443P020106	743.0202	Plasmaduese 1.0mm, 30°	Plasma tip 1.0mm, 30°
4	443P020107	743.0203	Plasmaduese 1.5mm, 30°	Plasma tip 1.5mm, 30°
4	443P020111	743.0261	Plasmaduese 1.3mm, 30°	Plasma tip 1.3mm, 30°
4	443P020112	743.0262	Plasmaduese 1.8mm, 30°	Plasma tip 1.8mm, 30°
5	443P020015	743.0131	Federtraeger	Spring support
6	443P020047	743.0149	Abstandsfeder	Spacer spring
7	443P020009	743.0125	Abstandshuelse	Distance sleeve
8	443P020010	743.0126	Abstandsduesentraeger	Distance nozzle support
9	443P020011	743.0127	Abstandsduese 8-Fuesse	Crown spacer nozzle
10	443P020068	743.0168	Eckduese	Double pointed nozzle
10a	443P000267	743.0267	Eckduese fuer Federtraeger	Double pointed nozzle with screws
o.Abb	443P000407	743.0407	Sicherungsklemme „ORIGINAL“	Safety clamp, "ORIGINAL"
o.Abb	443P020064	743.0064	Elektrodenschluessel	Wrench for electrode

TBi is in no way affiliated with BINZEL®. The parts advertised for sale are not genuine BINZEL® parts, but are parts made for and by TBi. Reference to BINZEL® machine, torches and numbers are for your convenience only. We reserve the right to substitute genuine BINZEL® parts in place of TBi parts.


BINZEL®
PSB 30


Pos.	Part No.	Ref. No.	Bezeichnung	Description
	444P100104		Plasmabrenner P 30, 4m (G1/4")	Hand cutting torch P 30, 4m (G1/4")
	444P100106		Plasmabrenner P 30, 6m (G1/4")	Hand cutting torch P 30, 6m (G1/4")
1	444P010001	744.0098	Plasmabrennerkörper, P 30	Torch body, P 30
1a	380P200397		Griffrohr kpl., 2-pol mit Mikroschalter	Handle tube cpl., with micro switch
2	444P010010	744.0012	Elektrode, ZR, (L=15.5)	Electrode, ZR, (L=15.5)
2	444P010011	744.0013	Elektrode, ZR, (L=15.0)	Electrode, ZR, (L=15.0)
2	444P010012	744.0014	Elektrode, ZR, (L=14.5)	Electrode, ZR, (L=14.5)
3	444P020007	744.0024	Feder	Spring
4	444P020006	744.0023	Federhuelse	Spring sleeve
4	444P020027	744.0076	Isolierhuelse HF-Version	Insulating sleeve for HF-Version
5	444P020003	744.0010	Plasmaduese 1.0mm	Plasma tip 1.0mm
5	444P020020	744.0061	Plasmaduese 1.2mm	Plasma tip 1.2mm
6	444P020004	744.0011	Schutzkappe	Air diffuser, insulator
7	375P000051		Kabelschuh, flach	Cable lug

TBi is in no way affiliated with BINZEL®. The parts advertised for sale are not genuine BINZEL® parts, but are parts made for and by TBi. Reference to BINZEL® machine, torches and numbers are for your convenience only. We reserve the right to substitute genuine BINZEL® parts in place of TBi parts.

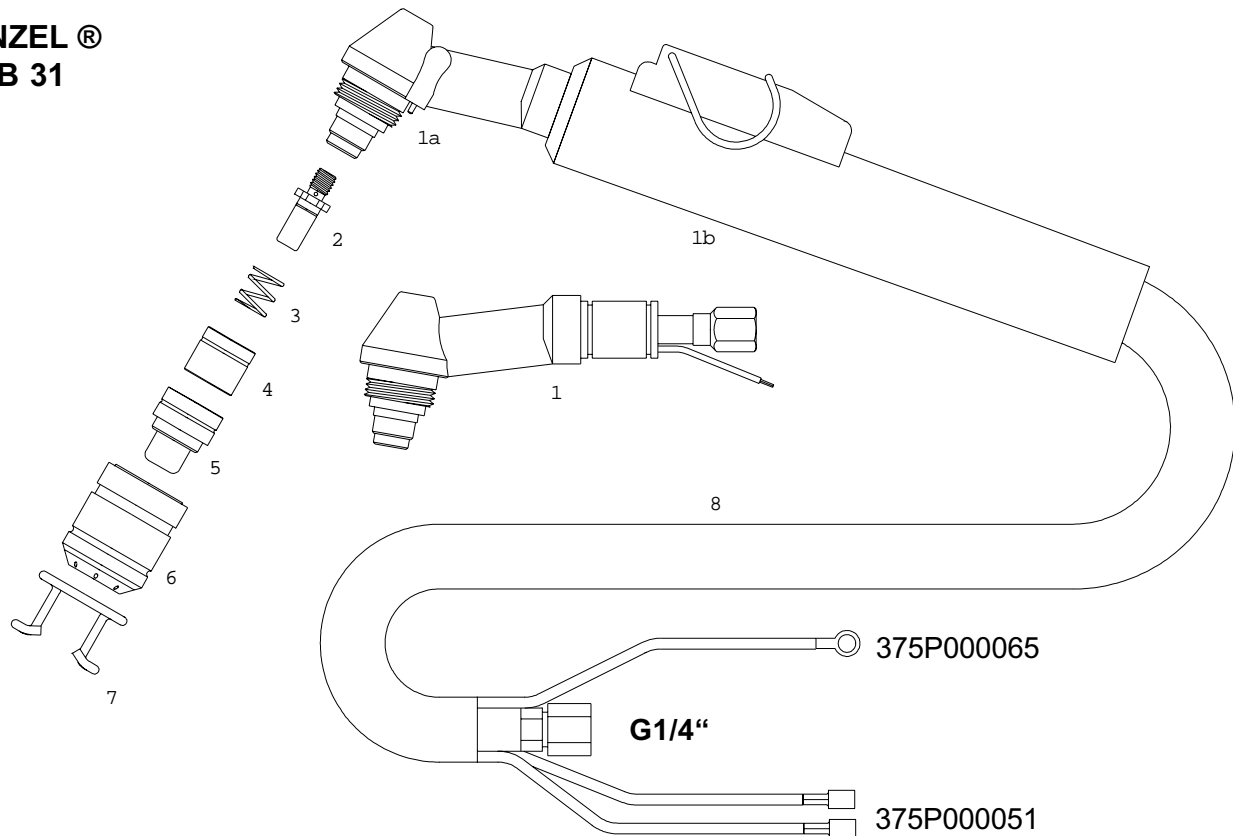


**Ersatzteile passend für:
Replacement parts suitable for:**

PRL_04/01

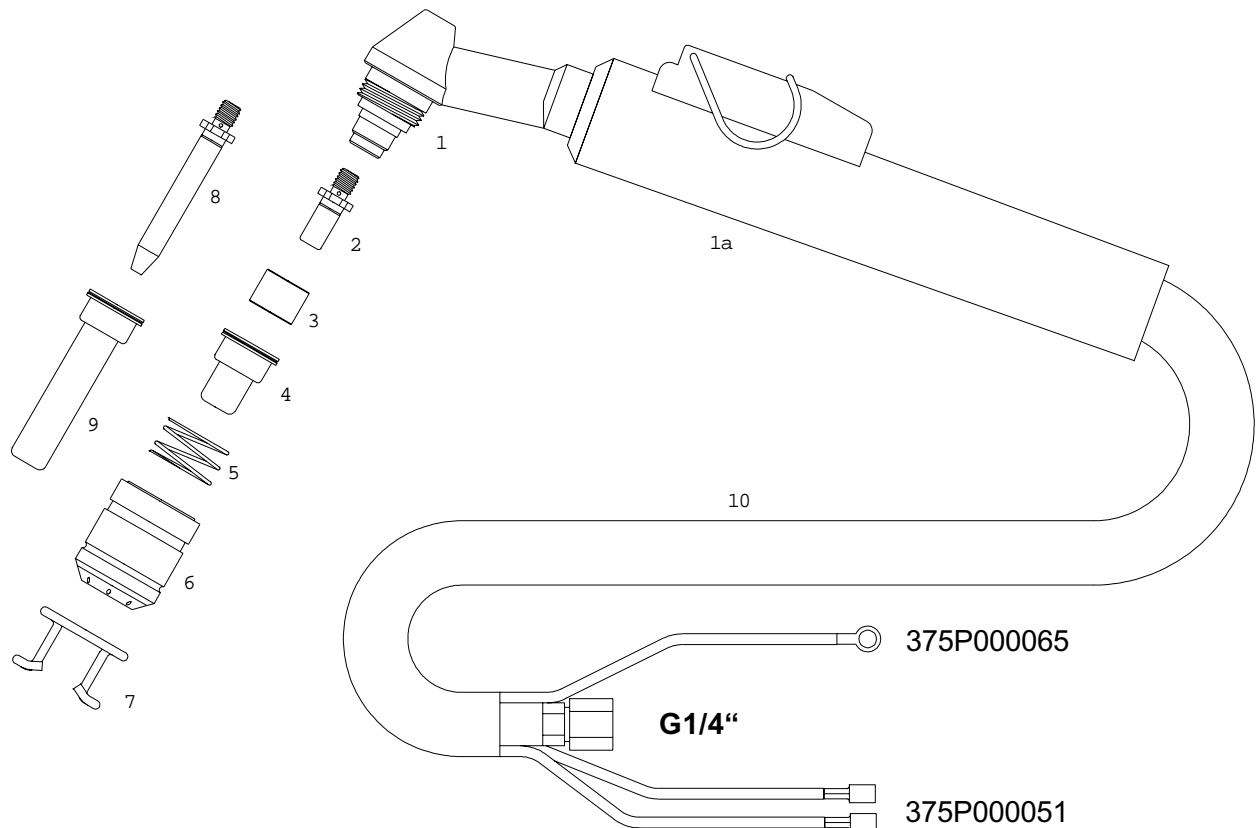
Seite / Page
23

**BINZEL®
PSB 31**



Pos.	Part No.	Ref. No.	Bezeichnung	Description
	442P100104		Plasmabrenner 32S, 4m (G1/4")	Hand cutting torch 32S, 4m (G1/4")
	442P100106		Plasmabrenner 32S, 6m (G1/4")	Hand cutting torch 32S, 6m (G1/4")
	442P100110		Plasmabrenner 32S, 10m (G1/4")	Hand cutting torch 32S, 10m (G1/4")
	442P100304		Plasmabrenner 32S, HF, 4m (G1/4")	Hand cutting torch 32S, HF, 4m (G1/4")
	442P100306		Plasmabrenner 32S, HF, 6m (G1/4")	Hand cutting torch 32S, HF, 6m (G1/4")
1	442P010001	742.0001	Brennerkörper 32/32KK	Torch body 32/32KK
1a	442P010100	742.0054	Brennerkörper 32 mit Si.-/Kontakt	Torch body 32 with safety
1b	402P001002		Griffschale ohne Schalter	Handle w/o switch
1c	385P133009		Schalter	Switch
1d	442P020100		Distanzbuchse 32, fuer Griff	Distance sleeve 32, for black handle
2	442P010008	742.0016	Elektrode, ZR, (L=15.5)	Electrode, ZR, (L=15.5)
2	442P010009	742.0017	Elektrode, ZR, (L=16.0)	Electrode, ZR, (L=16.0)
2	442P010010	742.0018	Elektrode, ZR, (L=16.5)	Electrode, ZR, (L=16.5)
3	444P020007	744.0024	Feder	Spring
4	442P000038	742.0038	Isolierhuelse, HF-Version	Insulating sleeve for HF-Version
4	442P020010	742.0025	Federhuelse	Spring sleeve
5	442P020005	742.0011	Plasmaduese 1.0mm	Plasma tip 1.0mm
5	442P020011	742.0026	Plasmaduese 1.2mm	Plasma tip 1.2mm
6	442P010004	742.0004	Schutzkappe	Air diffuser, insulator
6	442P010101		Schutzkappe (mit Kontaktring)	Air diffuser, insulator (with contact ring)
7	441P002203		Abstandsfeder	Spacer spring
8	442P100904		Schlauchpaket 4m, 32S, (G 1/4")	Cable assy 4m, 32S, (G 1/4")
8	442P100906		Schlauchpaket 6m, 32S, (G 1/4")	Cable assy 6m, 32S, (G 1/4")
9	375P000051		Kabelschuh, flach	Cable lug
10	375P000065		Kabelschuh, M6 isoliert	Cable lug, M6, insulated

TBI is in no way affiliated with BINZEL®. The parts advertised for sale are not genuine BINZEL® parts, but are parts made for and by TBI. Reference to BINZEL® machine, torches and numbers are for your convenience only. We reserve the right to substitute genuine BINZEL® parts in place of TBI parts.


BINZEL®
PSB 31 KK


Pos.	Part No.	Ref. No.	Bezeichnung	Description
	442P100204		Plasmabrenner 32K, 4m (G1/4")	Hand cutting torch 32K, 4m (G1/4")
	442P100206		Plasmabrenner 32K, 6m (G1/4")	Hand cutting torch 32K, 6m (G1/4")
	442P100404		Plasmabrenner 32KS, 4m (G1/4")	Hand cutting torch 32KS, 4m (G1/4")
	442P100406		Plasmabrenner 32KS, 6m (G1/4")	Hand cutting torch 32KS, 6m (G1/4")
1	442P010001	742.0001	Plasmabrennerkörper 32/32KK	Torch body 32/32KK
1a	402P001002		Griffschale ohne Schalter	Handle w/o switch
1b	385P133009		Schalter	Switch
1c	442P020100		Distanzbuchse 32, fuer Griff	Distance sleeve 32, for black handle
2	442P010008	742.0016	Elektrode, ZR, (L=15.5)	Electrode, ZR, (L=15.5)
2	442P010009	742.0017	Elektrode, ZR, (L=16.0)	Electrode, ZR, (L=16.0)
2	442P010010	742.0018	Elektrode, ZR, (L=16.5)	Electrode, ZR, (L=16.5)
3	442P000082	742.0082	Isolierhulse	Insulating sleeve
4	442P000083	742.0083	Plasmaduese 1.0mm, 32 K	Plasma tip 1.0mm, 32 K
4	442P000105	742.0105	Plasmaduese 1.2mm, 32 K	Plasma tip 1.2mm, 32 K
5	442P000084	742.0084	Feder TSP 32 K	Spring TSP 32 K
6	442P000086	742.0086	Schutzkappe, 32K	Air diffuser, 32K
6	442P000091		Schutzkappe, 32KK (mit Kontaktring)	Air diffuser, 32KK (with contact ring)
7	441P002203		Abstandsfeder	Spacer spring
8	442P010076	742.0076	Elektrode, ZR, lang, TSP 32KK	Electrode, ZR, long, TSP 32KK
9	442P020128	742.0128	Plasmaduese lang, 1.0mm	Plasma tip, long, 1.0mm
10	442P100904		Schlauchpaket 4m, 32KK, (G 1/4")	Cable assy 4m, 32KK, (G 1/4")
10	442P100906		Schlauchpaket 6m, 32KK, (G 1/4")	Cable assy 6m, 32KK, (G 1/4")
11	375P000051		Kabelschuh, flach	Cable lug
12	375P000065		Kabelschuh, M6 isoliert	Cable lug, M6, insulated

TBi is in no way affiliated with BINZEL®. The parts advertised for sale are not genuine BINZEL® parts, but are parts made for and by TBi. Reference to BINZEL® machine, torches and numbers are for your convenience only. We reserve the right to substitute genuine BINZEL® parts in place of TBi parts.

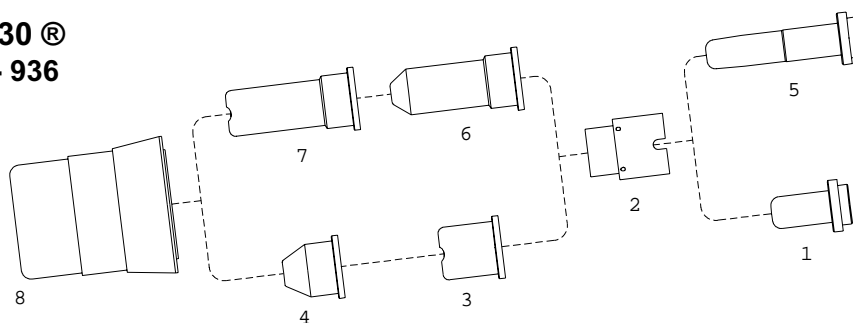


Ersatzteile passend für: Replacement parts suitable for:

PRL_04/01

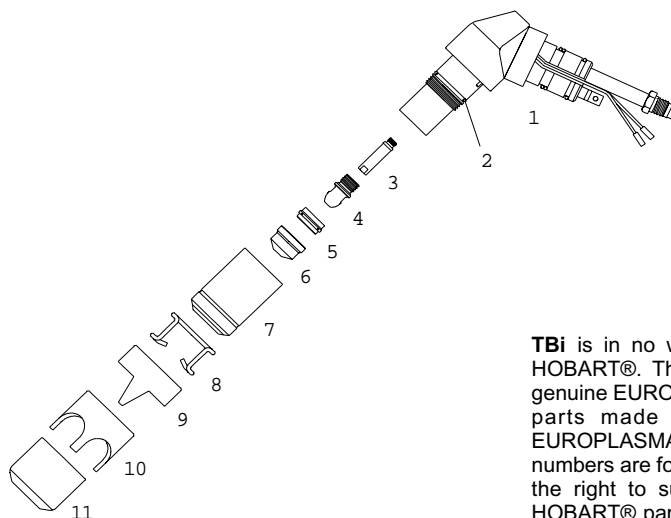
Seite / Page
25

CEBORA® P 30® ART. 920 - 925 - 936



Pos.	Part No.	Ref. No.	Bezeichnung	Description
	441P907001	1350	Brennerkörper, CEBORA P 25 (925)	Torch body, CEBORA P 25 (925)
1	441P907025	1520-ZR	Elektrode, ZR	Electrode, ZR
1	441P907026	1520-HF	Elektrode, HF	Electrode, HF
2	441P907028	1510	Luftverteiler - Vespel®	Swirl ring - Vespel®
3	441P102002	1304	Plasmaduese 1.0mm	Plasma tip 1.0mm
4	441P102012	1305	Plasmaduese 1.0mm (30A)	Plasma tip 1.0mm (30A)
5	441P907030	1519-ZR	Elektrode lang, ZR	Electrode long, ZR
5	441P907031	1519-HF	Elektrode lang, HF	Electrode long, HF
6	441P102015	1306	Plasmaduese, lang, (30A), 1.0mm	Plasma tip ,long, (30A), 1.0mm
7	441P102013	1370	Plasmaduese, lang, 1.0mm	Plasma tip, long, 1.0mm
8	441P070009	5.710.120	Schutzkappe	Nozzle retaining cap

HOBART® SMOOTH CUT 140



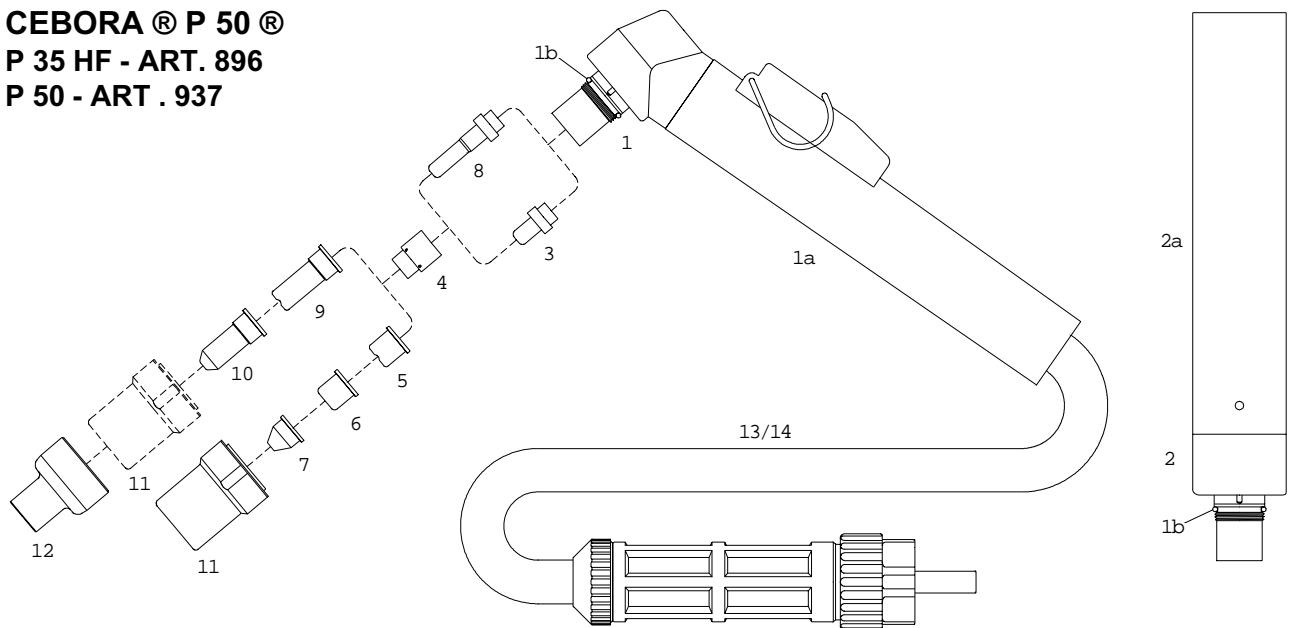
TBi is in no way affiliated with EUROPLASMA® HOBART®. The parts advertised for sale are not genuine EUROPLASMA® HOBART® parts, but are parts made for and by TBi. Reference to EUROPLASMA® HOBART® machine, torches and numbers are for your convenience only. We reserve the right to substitute genuine EUROPLASMA® HOBART® parts in place of TBi parts.

Pos.	Part No.	Ref. No.	Bezeichnung	Description
1	441P801001	494418-2	Plasmabrennerkörper, SMOOTH CUT 140	Torch body SMOOTH CUT 140
2	365P190180	494418-3	O-Ring 19.00x1.80	O-Ring 19.00x1.80
3	446P102002		Luftverteiler, (MS)	Diffusor (brass)
4	446P101010		Elektrode HF	Electrode HF
5	446P102001		Luftverteiler - Vespel®	Swirl ring - Vespel®
6	446P102010		Plasmaduese 1.1mm	Plasma tip 1.1mm
6	446P102011		Plasmaduese 1.3mm	Plasma tip 1.3mm
6	446P102012		Plasmaduese 1.6mm	Plasma tip 1.6mm
6	446P102013		Plasmaduese 1.8mm	Plasma tip 1.8mm
6	446P102014		Plasmaduese 3.0mm	Plasma tip 3.0mm
7	441P801003	494418-14	Schutzkappe	Nozzle retaining cap
8	441P020009	494418-20	Abstandsfeder	Spacer spring
9	441P010005	494418-21	Abstandshalter	Double pointed spacer
10	441P020301	494418-22	Kronenkappe	Crown spacer
11	446P102051	494418-15	Metallabdeckkappe	Gauging spacer

Ersatzteile passend für: Replacement parts suitable for:



CEBORA® P 50®
P 35 HF - ART. 896
P 50 - ART. 937



Pos.	Part No.	Ref. No.	Bezeichnung	Description
	441P966E06	1526	Plasmaprenner P 50, 6m (G1/8"AG)	Hand cutting torch P 50, 6m (G1/8"AG)
	441P966Z06	1574	Plasmaprenner P 50, 6m ZA	Hand cutting torch P 50, 6m CA
	441P966E12		Plasmaprenner P 50, 12m (G1/8"AG)	Hand cutting torch P 50, 12m (G1/8"AG)
	441P966Z12		Plasmaprenner P 50, 12m ZA	Hand cutting torch P 50, 12m CA
	441P966A06		Maschinenbrenner P 50, 6m (G1/8"AG)	Machine cutting torch P 50, 6m (G1/8"AG)
	441P966A12		Maschinenbrenner P 50, 12m (G1/8"AG)	Machine cutting torch P 50, 12m (G1/8"AG)
	441P966B06		Maschinenbrenner P 50, 6m ZA	Machine cutting torch P 50, 6m CA
	441P966B12		Maschinenbrenner P 50, 12m ZA	Machine cutting torch P 50, 12m CA
1	441P101001	1352	Plasmaprennerkörper, P 50	Torch body, P 50
1a	365P120178	3.160.067	O-Ring 12.40x1.78	O-Ring 12.40x1.78
1b	380P200396		Griffrohr kpl., 2-pol mit Mikroschalter	Handle tube cpl., with micro switch
2	441P101002		Maschinenbrennerkörper, P 50	Machine torch body, P 50
2a	441P101800	3.055.623	Griffrohr AUT Plasma	Handle tube AUT Plasma
3	441P101010	1521-ZR	Elektrode ZR	Electrode ZR
3	441P101011	1521-HF	Elektrode HF	Electrode HF
4	441P102001		Luftverteiler - Vespel®	Swirl ring - Vespel®
5	441P102002	1304	Plasmaduese 1.0mm	Plasma tip 1.0mm
5	441P102010	1396	Plasmaduese HD, 1.0mm (50A)	Plasma tip HD, 1.0mm (50A)
5	441P102011		Plasmaduese HD, 1.1mm (60A)	Plasma tip HD, 1.1mm (60A)
6	441P884410		Plasmaduese, flach 1.0mm	Flat tip, 1.0mm
7	441P102012	1305	Plasmaduese 1.0mm (30A)	Plasma tip 1.0mm (30A)
8	441P101005	1518-ZR	Elektrode lang, ZR	Electrode long, ZR
8	441P101006	1518-HF	Elektrode lang, HF	Electrode long, HF
8	441P101099		Elektrode lang, HF (42.4mm)	Electrode long, HF (42.4mm)
9	441P102013	1370	Plasmaduese, lang, 1.0mm	Plasma tip, long, 1.0mm
9	441P070017	1395	Plasmaduese, lang, 1.0mm	Plasma tip, long, 1.0mm
9	441P102014		Plasmaduese, HD, lang, 1.0mm	Plasma tip, HD, long, 1.0mm
9	441P102098		Plasmaduese, HD, lang 1.0mm, (37.1mm)	Plasma tip, HD, long, 1.0mm, (37.1mm)
10	441P102015	1306	Plasmaduese, lang, (30AMP), 1.0mm	Plasma tip, long, (30AMP), 1.0mm
11	441P101020	5710.121	Schutzkappe	Nozzle retaining cap
12	441P102020		Schutzkappe für lange Düsen	Shield cup, hand (for extended tips only)
13	441P200106		Schlauchpaket 6m, (G 1/4")	Cable assy 6m, (G 1/4")
14	441P200112		Schlauchpaket 12m, (G 1/4")	Cable assy 12m, (G 1/4")

TBI is in no way affiliated with CEBORA®. The parts advertised for sale are not genuine CEBORA® parts, but are parts made for and by TBI. Reference to CEBORA® machine, torches and numbers are for your convenience only. We reserve the right to substitute genuine CEBORA® parts in place of TBI parts.

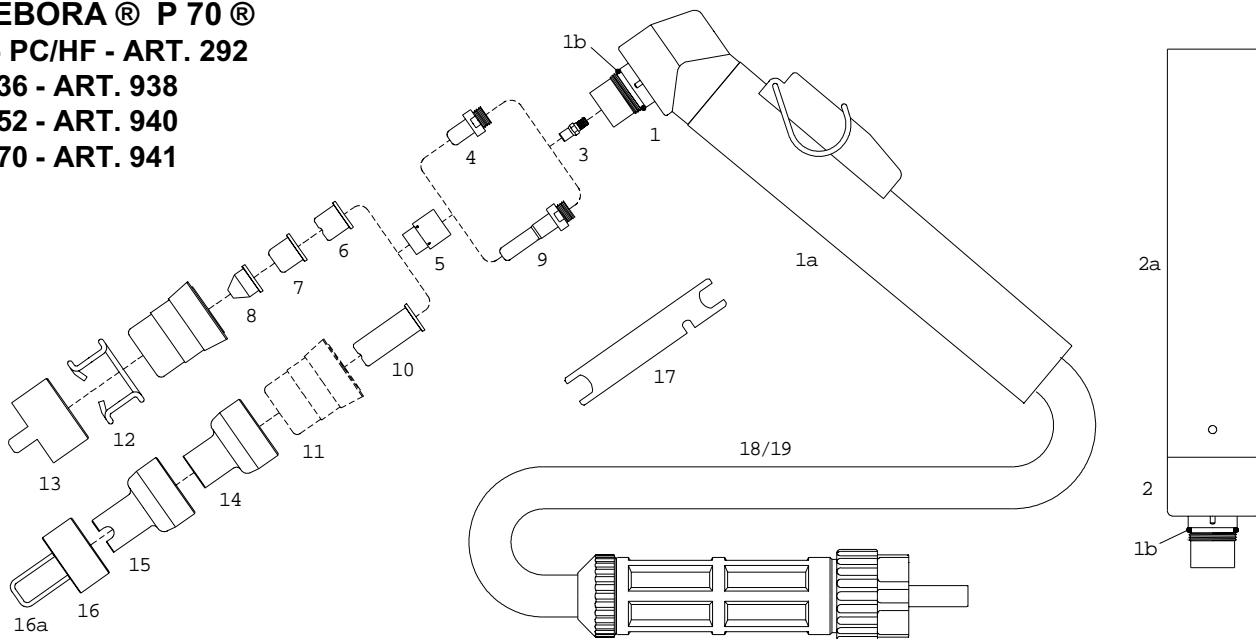


Ersatzteile passend für: Replacement parts suitable for:

PRL_04/01

Seite / Page
27

CEBORA® P 70®
35 PC/HF - ART. 292
P 36 - ART. 938
P 52 - ART. 940
P 70 - ART. 941



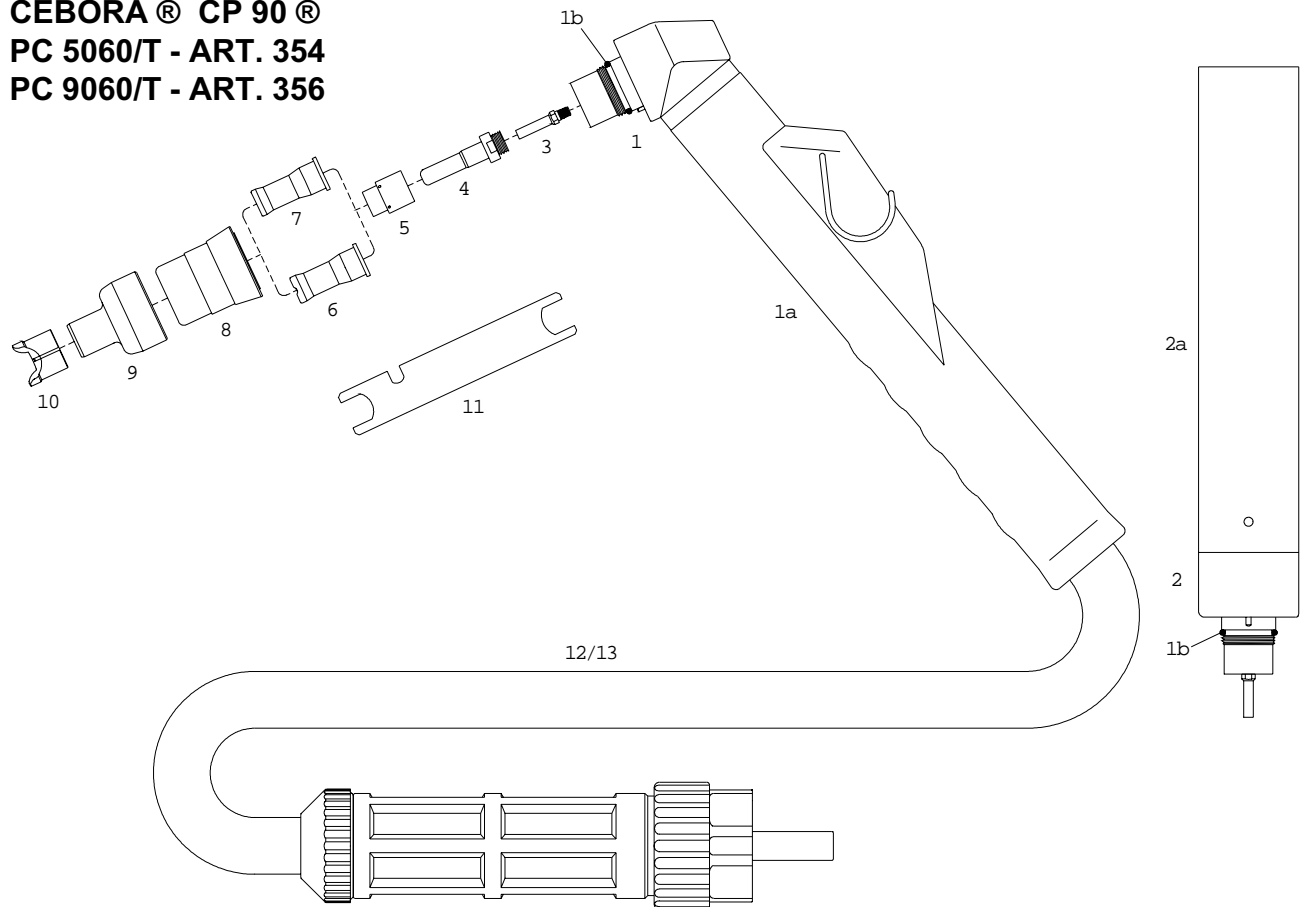
Pos.	Part No.	Ref. No.	Bezeichnung	Description
	441P966M06		Plasmabrenner P 70, 6m (G1/8"AG)	Hand cutting torch P 70, 6m (G1/8"AG)
	441P966P06		Plasmabrenner P 70, 6m ZA	Hand cutting torch P 70, 6m CA
	441P966P12		Plasmabrenner P 70, 12m ZA	Hand cutting torch P 70, 12m CA
	441P966K06		Maschinenbrenner P 70, 6m (G1/8"AG)	Machine cutting torch P 70, 6m (G1/8"AG)
	441P966L06		Maschinenbrenner P 70, 6m ZA	Machine cutting torch P 70, 6m CA
	441P966L12		Maschinenbrenner P 70, 12m ZA	Machine cutting torch P 70, 12m CA
1	441P070001	1351	Plasmabrennerkörper, P 70	Torch body, P 70
1a	380P200396	1356	Griffrohr kpl., 2-pol mit Mikroschalter	Handle tube cpl., with micro switch
1b	365P120178	3.160.067	O-Ring 12.40x1.78	O-Ring 12.40x1.78
2	441P070002	1349	Maschinenbrennerkörper, P 70	Machine torch body, P 70
2a	441P101800	3.055.623	Griffrohr AUT Plasma	Handle tube AUT Plasma
3	441P070003	3.065.204	Verteiler (ST)	Diffusor (ST)
4	441P070010	1402	Elektrode HF	Electrode HF
5	441P102001		Luftverteiler - Vespel®	Swirl ring - Vespel®
6	441P070004	1309	Plasmaduese 0.9mm	Plasma tip 0.9mm
6	441P102010	1396	Plasmaduese HD, 1.0mm (50A)	Plasma tip HD, 1.0mm (50A)
6	441P102011		Plasmaduese HD, 1.1mm (60A)	Plasma tip HD, 1.1mm (60A)
6	441P070015		Plasmaduese HD, 1.2mm (70A)	Plasma tip HD, 1.2mm (70A)
6	441P070032	1308	Plasmaduese 1.2mm, (STD)	Plasma tip 1.2mm, (STD)
7	441P884410		Plasmaduese, flach 1.0mm	Flat tip, 1.0mm
7	441P070033		Plasmaduese, flach 1.2mm	Flat tip, 1.2mm
8	441P102012	1305	Plasmaduese, kon. 1.0mm (30A)	Plasma tip, con. 1.0mm (30A)
8	441P070034		Plasmaduese, kon. 1.2mm	Plasma tip, con. 1.2mm
9	441P070011	1368	Elektrode lang, HD - HF	Electrode long, HF, long life
10	441P070005	1366	Plasmaduese, lang, 0.9mm (35A)	Plasma tip, long, 0.9mm (35A)
10	441P070017	1395	Plasmaduese, HD, lang, 1.0mm (50A)	Plasma tip, long, 1.0mm, long life (50A)
10	441P102014		Plasmaduese, HD, lang, 1.1mm (60A)	Plasma tip, long, 1.1mm, long life (60A)
10	441P070018		Plasmaduese, HD, lang, 1.2mm (70A)	Plasma tip, long, 1.2mm, long life (70A)
11	441P070009	5.710.171	Schutzkappe	Nozzle retaining cap
12	441P070020	1394	Abstandsfeder	Spacer spring
13	441P070021	1405	Abstandshalter	Double pointed spacer
14	441P070038		Abstandshalter fuer lange Duesen	Shield cup, hand (for extended tips only)
15	441P070039		Kontaktabstandshalter fuer lange Duesen	Spacer for contact cutting, (extended tips only)
16	441P070040		Abstandsduesentraeger kpl. mit Feder	Spacer cpl. with springs
16a	441P070041		Abstandsfeder, fuer 441P070040	Spring for 441P070040
17	441P020310	3.045.012	Elektrodenschlüssel	Wrench for electrode

TBI is in no way affiliated with CEBORA®. The parts advertised for sale are not genuine CEBORA® parts, but are parts made for and by TBI. Reference to CEBORA® machine, torches and numbers are for your convenience only. We reserve the right to substitute genuine CEBORA® parts in place of TBI parts.

Tbi Industries GmbH - Ruhberg 14-D-35463 Fernwald-Steinbach Tel:++49-(0)6404-91710 Fax++49-(0)6404-917140
 Internet: www.tbi-industries.com - e-mail: info@tbi-industries.com



CEBORA® CP 90®
PC 5060/T - ART. 354
PC 9060/T - ART. 356



Pos.	Part No.	Ref. No.	Bezeichnung	Description
	441P091A06		Plasmabrenner , 6m ZA	Hand cutting torch , 6m ZA
	441P091A12		Plasmabrenner , 12m ZA	Hand cutting torch , 12m ZA
	441P091B06		Maschinenbrenner , 6m ZA	Machine cutting torch , 6m ZA
	441P091B12		Maschinenbrenner , 12m ZA	Machine cutting torch , 12m ZA
1	441P091001	1358	Plasmabrennerkörper	Torch body
1a	380P200395		Handgriff kpl., mit Mikroschalter	Handle cpl., with micro switch
1b	365P120178	3.160.067	O-Ring 12.40x1.78	O-Ring 12.40x1.78
2	441P091002	1348	Maschinenbrennerkörper	Machine torch body
2a	441P101800	3.055.623	Griffrohr AUT Plasma	Handle tube AUT Plasma
3	441P091003		Luftverteiler (MS)	Air diffusor (brass)
4	441P070011	1368	Elektrode lang, HD - HF	Electrode long, HF, long life
5	441P102001		Luftverteiler - Vespel ®	Swirl ring - Vespel ®
6	441P091004		Plasmaduese, lang, 1.0MM (20-50A)	Plasma tip, long, 1.0MM (20-50A)
7	441P091005		Plasmaduese, lang, 1.2MM (50-70A)	Plasma tip, long, 1.2MM (50-70A)
7	441P091006		Plasmaduese, lang, 1.3MM (70-90A)	Plasma tip, long, 1.3MM (70-90A)
			nur mit Pos. 8 verwenden	for use with pos. 8 only
8	441P091007		Schutzkappe	Nozzle retaining cap
			nur mit Pos. 6 + 7 verwenden	for use with pos. 6+7 only
9	441P091008		Schutzkappe, Handschneiden	Shield cup, hand
10	441P091009		Abstandshalter zum Kontaktschneiden	Spacer for contact cutting (hand)
11	441P020310	3.045.012	Elektrodenschlüssel	Wrench for electrode

TBI is in no way affiliated with CEBORA®. The parts advertised for sale are not genuine CEBORA® parts, but are parts made for and by TBI. Reference to CEBORA® machine, torches and numbers are for your convenience only. We reserve the right to substitute genuine CEBORA® parts in place of TBI parts.



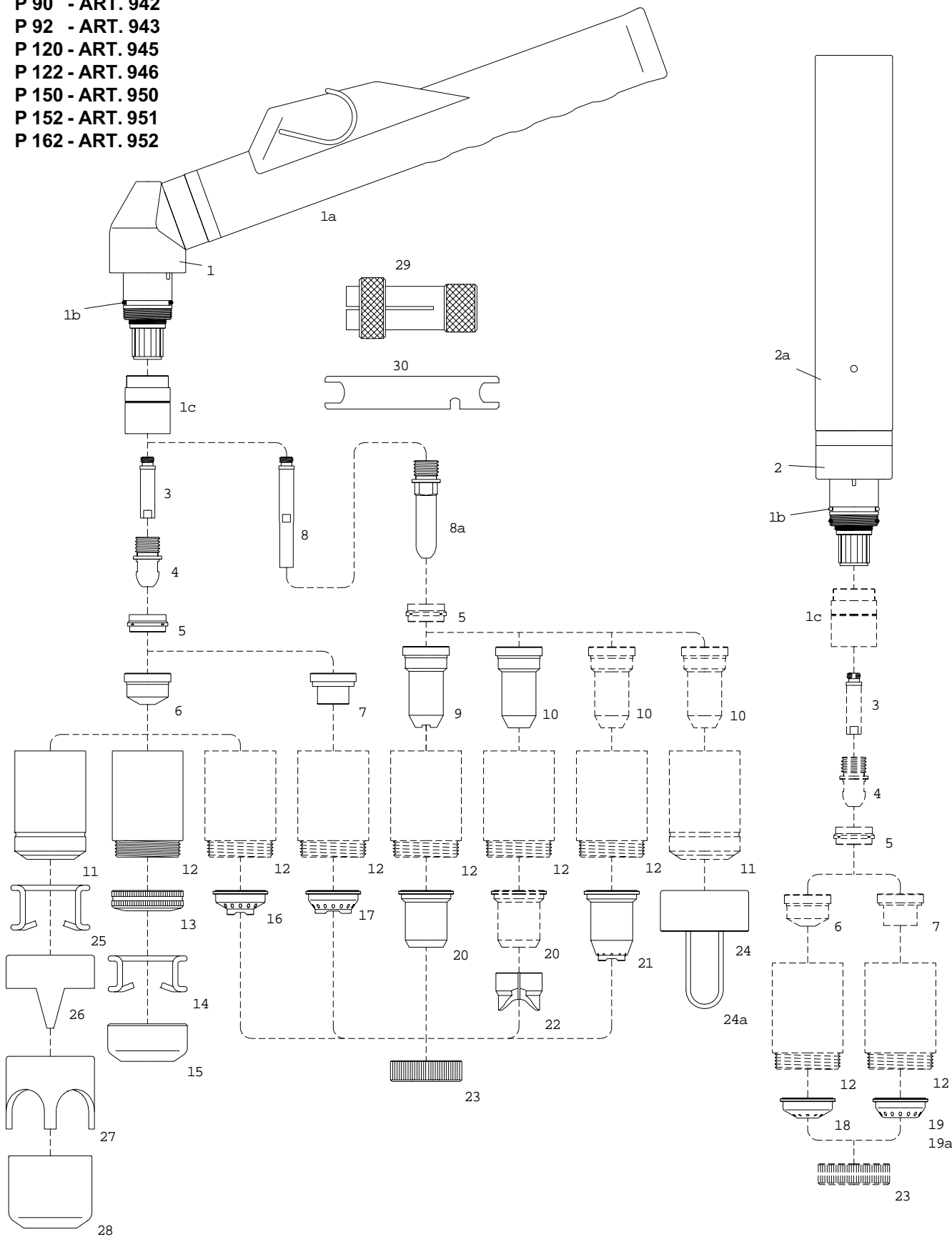
Ersatzteile passend für:
Replacement parts suitable for:

PRL_04/01

Seite / Page
29

CEBORA® P150® - CP 160®

- P 90 - ART. 942
- P 92 - ART. 943
- P 120 - ART. 945
- P 122 - ART. 946
- P 150 - ART. 950
- P 152 - ART. 951
- P 162 - ART. 952



Ersatzteile passend für: Replacement parts suitable for:



CEBORA® P150® - CP 160®

P 90 - ART. 942, P 92 - ART. 943, P120 - ART. 945, P 122 - ART. 946, P 150 - ART. 950, P 152 - ART. 951, P 162 - ART. 952

Pos.	Part No.	Ref. No.	Bezeichnung	Description
	446P966E06	1571	Plasmabrenner P 150, 6m (G1/8")	Hand cutting torch P 150, 6m (G1/8")
	446P966Z06	1576	Plasmabrenner P 150, 6m ZA	Hand cutting torch P 150, 6m CA
	446P966Z12	1578	Plasmabrenner P 150, 12m ZA	Hand cutting torch P 150, 12m CA
	446P966A06	1529	Maschinenbrenner P 150, 6m (G1/8")	Machine cutting torch P 150, 6m (G1/8")
	446P966B06	1577	Maschinenbrenner P 150, 6m ZA	Machine cutting torch P 150, 6m CA
	446P966B12	1579	Maschinenbrenner P 150, 12m ZA	Machine cutting torch P 150, 12m CA
1	446P101001	1353	Plasmabrennerkörper	Torch body
1a	380P200395		Handgriff kpl., mit Mikroschalter	Handle cpl., with micro switch
1b	365P170178	1398	O-Ring 17.00x1.78	O-Ring 17.00x1.78
1c	446P102003		Isolator - Vespel®	Insulator - Vespel®
2	446P101002	1354	Maschinenbrennerkörper	Machine torch bod
2a	441P101800	3.055.623	Griffrohr AUT Plasma	Handle tube AUT Plasma
3	446P102002	1378	Luftverteiler, (MS)	Air diffusor, (brass)
4	446P101010	1376	Elektrode HF	Electrode HF
5	446P102001	1377	Luftverteiler - Vespel®	Swirl ring - Vespel®
6	446P102010	1371	Plasmaduese 1.1mm	Plasma tip 1.1mm
6	446P102011	1372	Plasmaduese 1.3mm	Plasma tip 1.3mm
6	446P102012	1373	Plasmaduese 1.6mm	Plasma tip 1.6mm
6	446P102013	1374	Plasmaduese 1.8mm	Plasma tip 1.8mm
6	446P102014	1375	Plasmaduese 3.0mm	Plasma tip 3.0mm
6	446P102015		Langzeitduese 1.3mm	Long live cutting tip 1.3mm
6	446P102016		Langzeitduese 1.6mm	Long live cutting tip 1.6mm
6	446P102017		Langzeitduese 1.8mm	Long live cutting tip 1.8mm
7	446P102030		Kontaktduese 1.35mm	Contact tip 1.35mm
7	446P102031		Kontaktduese 1.60mm	Contact tip 1.60mm
7	446P102032		Kontaktduese 1.80mm	Contact tip 1.80mm
8	446P102004		Langer Luftverteiler, (MS)	Long air diffusor, (MS)
8a	446P101015	1517	Elektrode lang, HF	Electrode long, HF
9	446P102020	1369	Plasmaduese lang, 1.1mm (max. 50A)	Plasma tip long, 1.1mm (max. 50A)
10	446P102021	1369.13	Plasmaduese lang, 1.35mm	Plasma tip long, 1.35mm
10	446P102022	1369.16	Plasmaduese lang, 1.60mm	Plasma tip long, 1.60mm
10	446P102023	1369.18	Plasmaduese lang, 1.80mm	Plasma tip long, 1.80mm
11	446P101020	1389	Schutzkappe	Nozzle retaining cap
12	446P102040		Kontakt Schutzkappe, HD	Contact nozzle retaining cap, HD
12	446P102043		Kontakt Schutzkappe, HD - Vespel®	Contact nozzle retaining cap, HD - Vespel®
13	446P102063		Federhalter	Spring holder protection nut
14	446P102064		Abstandsfeder	Spacer spring
15	446P102068		Schutz zum Fugenhobeln	Gauging spacer
16	446P102060		Abstandshalter zum Handschneiden	Spacer for contact cutting, hand
17	446P102041		Abstandshalter zum Handschneiden	Spacer for contact cutting, hand
18	446P102061		Abstandshalter zum Kontaktschneiden (M)	Shield cup, machine
19	446P102069		Abstandshalter zum Kontaktschneiden (M)	Shield cup, machine
19a	446P102062		Abstandshalter zum Kontaktschneiden (M)	Shield cup, machine
20	446P102065		Abstandshalter zum Handschneiden, (50A)	Shield cup, hand (max. 50A)
21	446P102066		Abstandshalter zum Handschneiden	Spacer for contact cutting, hand
22	446P102070		Abstandshalter fuer lange Duesen (HA)	Spacer for long tips, HIGH AMP
23	446P102067		Verschlussmutter	Locking nut
24	446P102044		Abstandshalter mit Feder	Spacer cpl. with springs
24a	446P102045		Abstandsfeder fuer 446P102044	Spring for 446P102044
25	441P020009	1386	Abstandsfeder	Spacer spring
26	441P010005	1408	Abstandshalter	Double pointed spacer
27	441P020301		Kronenkappe	Crown spacer
28	446P102051	1406	Metallabdeckkappe	Gauging spacer
29	441P010303	1509	Werkzeug fuer Luftverteiler	Extractor for swirl ring
30	441P020310	3.045.010	Elektrodenschlüssel	Wrench for electrode

TBi is in no way affiliated with CEBORA®. The parts advertised for sale are not genuine CEBORA® parts, but are parts made for and by TBi. Reference to CEBORA® machine, torches and numbers are for your convenience only. We reserve the right to substitute genuine CEBORA® parts in place of TBi parts.

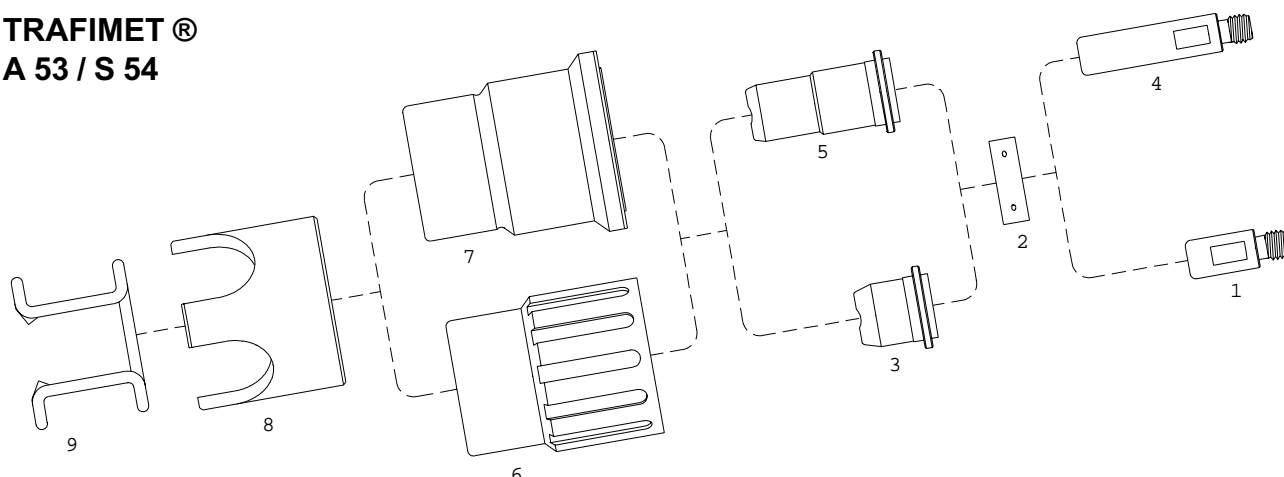


**Ersatzteile passend für:
Replacement parts suitable for:**

PRL_04/01

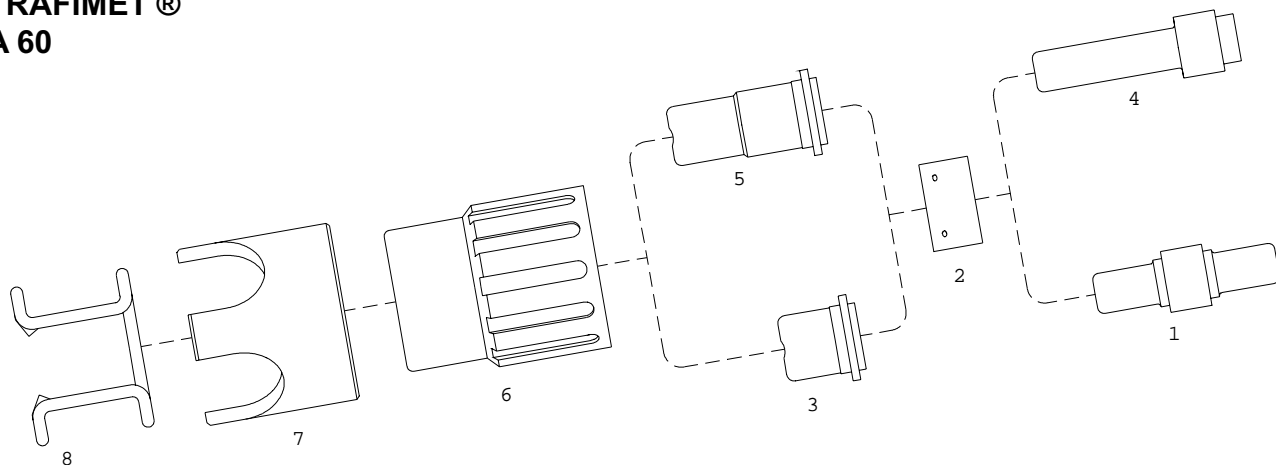
Seite / Page
31

**TRAFIMET®
A 53 / S 54**



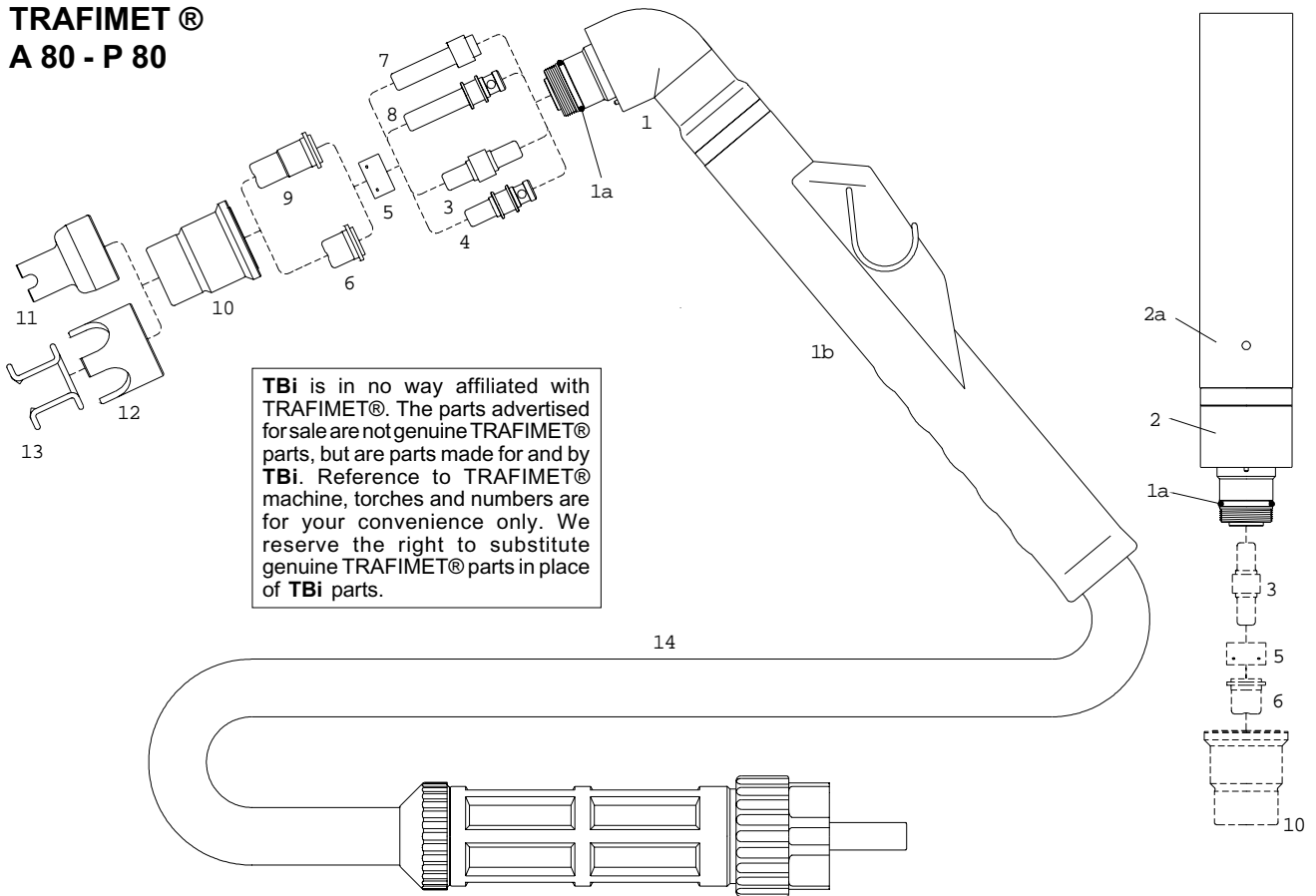
Pos.	Part No.	Ref. No.	Bezeichnung	Description
1	441P001200	PR105	Elektrode HF	Electrode HF
2	441P002200	PE106	Luftverteiler - Vespel®	Swirl ring - Vespel®
3	441P002205	PD102	Plasmaduese 1.0mm	Plasma tip 1.0mm
4	441P001211	PR106	Elektrode HF, lang	Electrode HF, long
5	441P002206	PD103	Plasmaduese, lang, 0.9mm	Plasma tip, long, 0.9mm
6	441P001201	PC105	Schutzkappe A 53	Nozzle retaining cap A 53
7	441P001210	PC115	Schutzkappe S 54	Nozzle retaining cap S 54
8	441P002202	CV33	Kronenkappe	Crown spacer
9	441P002203	CV28	Abstandsfeder	Spacer spring

**TRAFIMET®
A 60**



Pos.	Part No.	Ref. No.	Bezeichnung	Description
1	441P001250	PR107	Elektrode HF	Electrode HF - long life
2	441P002250	PE107	Luftverteiler - Vespel®	Swirl ring - Vespel®
3	441P002201	PD105-10	Plasmaduese 1.0mm	Plasma tip 1.0mm
3	441P002251	PD105-11	Plasmaduese, 1.1mm	Plasma tip, 1.1mm
4	441P001252	PR108	Elektrode HD - HF, lang	Extended electrode HF, long life
5	441P002252	PD106-09	Plasmaduese, lang, 0.9mm	Extended tip, long, 0.9mm
5	441P002253	PD106-12	Plasmaduese, lang, 1.2mm	Extended tip, long, 1.2mm
6	441P001201	PC105	Schutzkappe	Nozzle retaining
7	441P002202	CV33	Kronenkappe	Crown spacer
8	441P002203	CV28	Abstandsfeder	Spacer spring

TBi is in no way affiliated with TRAFIMET®. The parts advertised for sale are not genuine TRAFIMET® parts, but are parts made for and by TBi. Reference to TRAFIMET® machine, torches and numbers are for your convenience only. We reserve the right to substitute genuine TRAFIMET® parts in place of TBi parts.


TRAFIMET®
A 80 - P 80


Tbi is in no way affiliated with TRAFIMET®. The parts advertised for sale are not genuine TRAFIMET® parts, but are parts made for and by Tbi. Reference to TRAFIMET® machine, torches and numbers are for your convenience only. We reserve the right to substitute genuine TRAFIMET® parts in place of Tbi parts.

Pos.	Part No.	Ref. No.	Bezeichnung	Description
	441P080E06	PA170	Plasmabrenner A 80, 6m (G3/8")	Hand cutting torch A 80, 6m (G3/8")
	441P080E12	PA173-12	Plasmabrenner A 80, 12m ((G1/4"))	Hand cutting torch A 80, 12m ((G1/4"))
	441P080Z06	PA171	Plasmabrenner A 80, 6m ZA	Hand cutting torch A 80, 6m CA
	441P080A06	PA180	Maschinenbrenner P 80, 6m (G3/8")	Machine cutting torch P 80, 6m (G3/8")
	441P080B06	PA181	Maschinenbrenner P 80, 6m ZA	Machine cutting torch P 80, 6m CA
1	441P080001	PF119	Plasmabrennerkörper, A 80	Torch body, A 80
1a	365P0EA125	EA125	O-Ring	O-Ring
1b	380P200395		Handgriff kpl., mit Mikroschalter	Handle cpl., with micro switch
2	441P080002	PF 120	Maschinenbrennerkörper	Machine torch body
2a	441P080003	TP 61	Griffrohr AUT P 80	Handle tube AUT P 80
3	441P001250	PR 107	Elektrode HD - HF	Electrode HF - long life
4	441P080005	PR 109	Elektrode HF	Electrode HF
5	441P002250	PE 107	Luftverteiler - Vespel®	Swirl ring - Vespel®
6	441P002201	PD105-10	Plasmaduese 1.0mm	Plasma tip, 1.0mm
6	441P002251	PD105-11	Plasmaduese 1.1mm	Plasma tip, 1.1mm
6	441P080006	PD105-12	Plasmaduese 1.2mm	Plasma tip, 1.2mm
7	441P001252	PR 108	Elektrode HD - HF, lang	Extended electrode HF, long life
8	441P080007	PR 115	Elektrode HF, lang	Extended electrode HF
9	441P002252	PD106-10	Plasmaduese, lang, 1.0mm	Extended tip, long, 1.0mm
9	441P002253	PD106-12	Plasmaduese, lang, 1.2mm	Extended tip, long, 1.2mm
10	441P001210	PC 115	Schutzkappe	Nozzle retaining cap
11	441P080008		Abstandshalter zum Kontaktschneiden	Spacer for contact cutting
12	441P002202	CV 33	Kronenkappe	Crown spacer
13	441P002203	CV 28	Abstandsfeder	Spacer spring
	441P080999	PF 107	Umbausatz Plasmabrenner A 60 auf A	Kit for replacing „A60“ items
			Enthält Pos. 1+1b+3+5+6+10+13	Contens pos. 1+1b+3+5+6+10+13

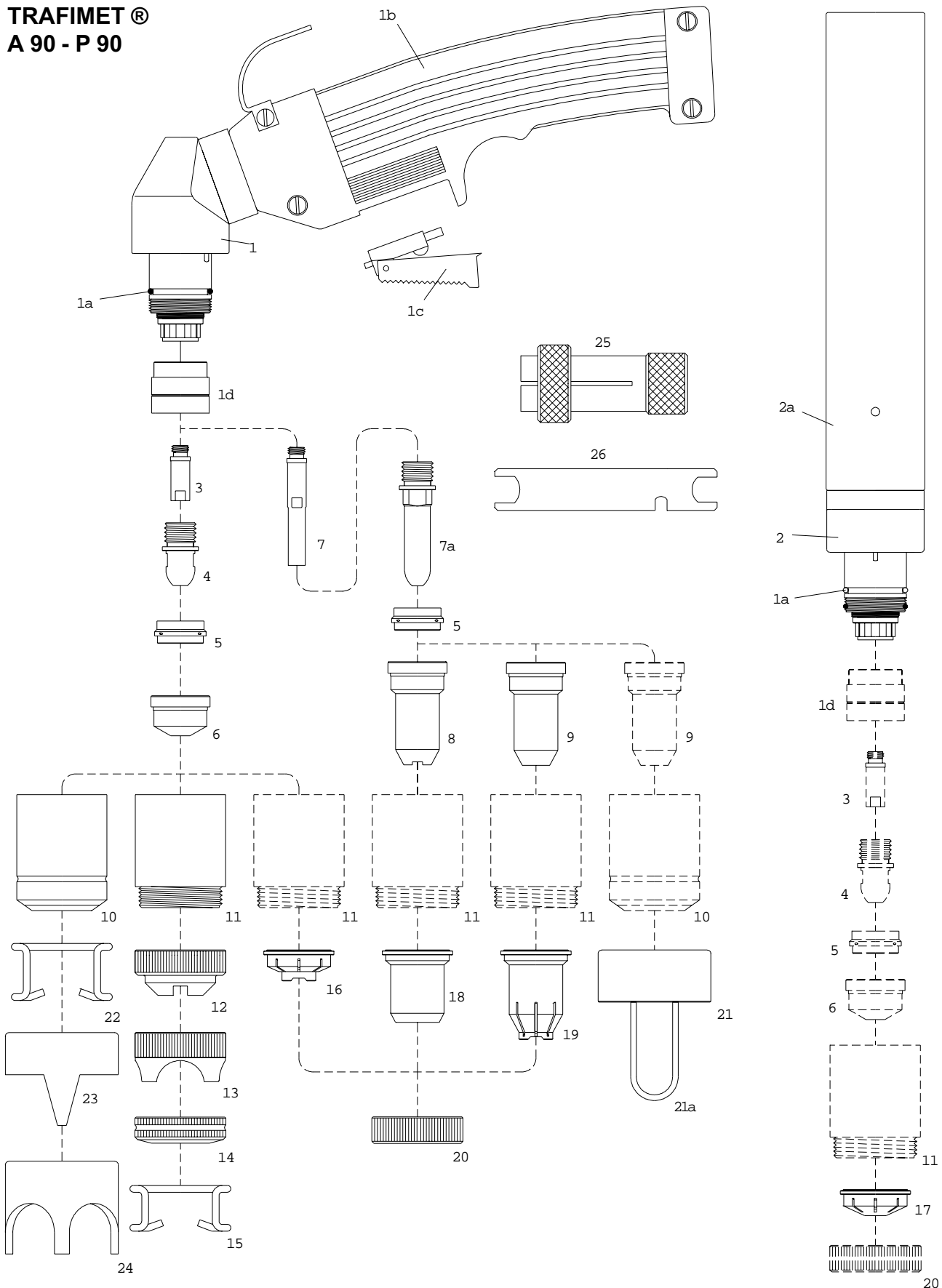


Ersatzteile passend für:
Replacement parts suitable for:

PRL_04/01

Seite / Page
33

TRAFIMET®
A 90 - P 90





TRAFIMET® A 90 - P 90

Pos.	Part No.	Ref. No.	Bezeichnung	Description
	441P090206	PA 311	Plasmabrenner A 90, 6m ((G1/4"))	Hand cutting torch A 90, 6m ((G1/4"))
	441P090Z06	PA 213	Plasmabrenner A 90, 6m ZA	Hand cutting torch A 90, 6m CA
	441P090212		Plasmabrenner A 90, 12m ((G1/4"))	Hand cutting torch A 90, 12m ((G1/4"))
	441P090Z12		Plasmabrenner A 90, 12m ZA	Hand cutting torch A 90, 12m CA
	441P090A06	PA 0110	Maschinenbrenner P 90, 6m (G3/8")	Machine cutting torch P 90, 6m (G3/8")
	441P090B06	PA 0111	Maschinenbrenner P 90, 6m ZA	Machine cutting torch P 90, 6m CA
1	441P090001	PF 109	Plasmabrennerkörper, A 90	Torch body, A 90
1a	365P190180	EA 131	O-Ring 19.00x1.80	O-Ring 19.00x1.80
1b	380P200391		Griffschale schwarz, 2-polig	Handle black, cpl.
1c	385P021016		Druckschalter, rot, 2-polig, Standard	Trigger, red, 2 poles, standard
1d	441P090003		Isolator fuer Brennerkoerper	Front insulator
2	441P090002	PF 115	Maschinenbrennerkörper P 90	Machine torch body P 90
2a	441P101800	TP 12	Griffrohr AUT Plasma	Handle tube AUT Plasma
3	441P020300		Luftverteiler (MS)	Diffusor (brass)
4	441P010001	PR 101	Elektrode HF	Electrode HF
5	441P020010	PE 101	Luftverteiler - Vespel®	Swirl ring - Vespel®
6	441P020001	PD 101-11	Plasmaduese 1.1mm	Plasma tip 1.1mm
6	441P020002	PD 101-14	Plasmaduese 1.4mm	Plasma tip 1.4mm
6	441P020003	PD 101-17	Plasmaduese 1.7mm	Plasma tip 1.7mm
7	441P020019		Langer Luftverteiler, (MS)	Extended air diffusor, (brass)
7a	441P010020		Elektrode lang, HF	Extended electrode long, HF
8	441P020015	PD 111	Plasmaduese lang (max. 50A)	Extended tip (max. 50A)
9	441P020016	PD 117-14	Plasmaduese lang, 1.40mm	Extended tip, 1.40mm
9	441P020017	PD 117-17	Plasmaduese lang, 1.70mm	Extended tip, 1.70mm
10	441P010301	PC 109/11	Schutzkappe	Nozzle retaining cap
11	441P010302	PC 113	Kontaktschutzkappe	Contact nozzle retaining cap
11	441P010304	PC 113/V	Kontaktschutzkappe - Vespel®	Contact nozzle retaining cap - Vespel®
12	441P020011	CV 23	Abstandshalter	Spacer for contact cutting
13	441P102053	CV 39	Grosser Abstandshalter	Large spacer for contact cutting
oh.Ab.	441P020012	FH 297	Isolierscheibe fuer Kontaktschutzkappe	Washer for cap retaining, (contact cutting)
14	446P102063		Federhalter mit Nut	Spring holder protection nut
15	446P102064		Abstandsfeder fuer 446P102063	Spacer spring for 446P102063
16	446P102060		Abstandshalter (HAND)	Spacer for contact cutting, hand
17	446P102061		Abstandshalter zum Kontaktschneiden (M)	Shield cup (machine)
18	446P102065		Abstandshalter zum Handschneiden, (50A)	Shield cup, hand (max 50A)
19	446P102066		Abstandshalter zum Handschneiden	Spacer for contact cutting, hand
20	446P102067		Verschlussmutter	Locking nut
21	446P102044		Abstandshalter mit Feder	Spacer cpl. with springs
21a	446P102045		Abstandsfeder fuer 446P102044	Spring for 446P102044
22	441P020009	CV 11	Abstandsfeder	Spacer spring
23	441P010005	CV 12	Abstandshalter	Double pointed spacer
24	441P020301	CV 14	Kronenkappe	Crown spacer
25	441P010303	GR 60	Werkzeug fuer Luftverteiler	Extractor for swirl ring
26	441P020310		Elektrodenschluessel	Wrench for electrode

TBi is in no way affiliated with TRAFIMET®. The parts advertised for sale are not genuine TRAFIMET® parts, but are parts made for and by TBi. Reference to TRAFIMET® machine, torches and numbers are for your convenience only. We reserve the right to substitute genuine TRAFIMET® parts in place of TBi parts.

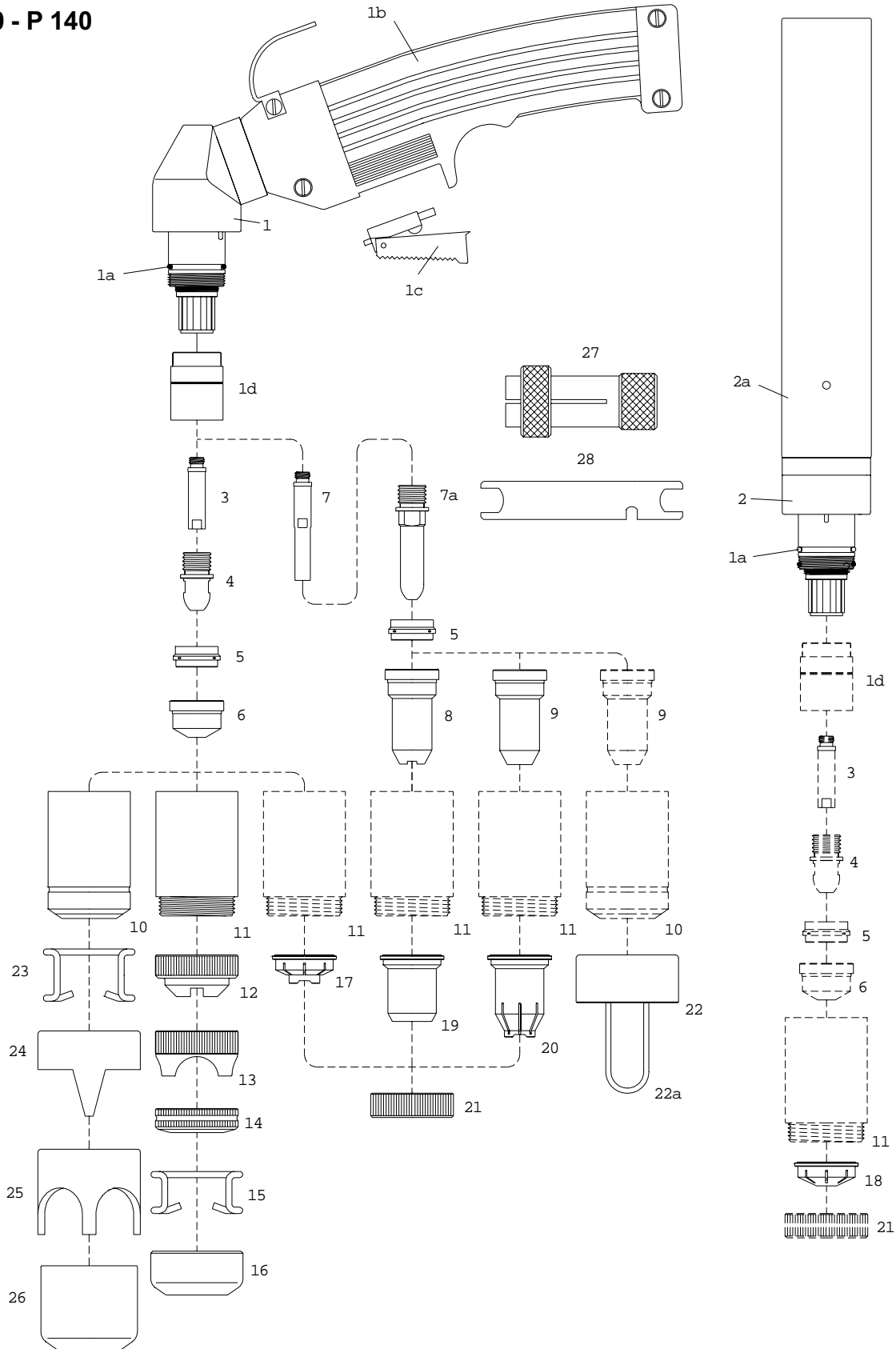


Ersatzteile passend für:
Replacement parts suitable for:

PRL_04/01

Seite / Page
35

TRAFIMET®
A 140 - P 140



TBi is in no way affiliated with TRAFIMET®. The parts advertised for sale are not genuine TRAFIMET® parts, but are parts made for and by TBi. Reference to TRAFIMET® machine, torches and numbers are for your convenience only. We reserve the right to substitute genuine TRAFIMET® parts in place of TBi parts.

**TRAFIMET® A 140 - P 140**

Pos.	Part No.	Ref. No.	Bezeichnung	Description
	441P140206	PA 121	Plasmabrenner A 140, 6m (G1/4")	Hand cutting torch A 140, 6m (G1/4")
	441P140206	PA 214	Plasmabrenner A 140, 6m ZA	Hand cutting torch A 140, 6m CA
	441P140212		Plasmabrenner A 140, 12m (G1/4")	Hand cutting torch A 140, 12m (G1/4")
	441P140406		Maschinenbrenner P 140, 6m (G1/4")	Machine cutting torch P 140, 6m (G1/4")
	441P140506	PA 145	Maschinenbrenner A 140, 6m ZA	Machine cutting torch A 140, 6m CA
1	441P140001	PF 101	Plasmabrennerkörper, A 140	Torch body, A 140
1a	365P190180	EA 131	O-Ring 19.00x1.80	O-Ring 19.00x1.80
1b	380P200391		Griffschale schwarz, 2-polig	Handle black, cpl.
1c	385P021016		Druckschalter, rot, 2-polig, Standard	Trigger, red, 2 poles, standard
1d	446P102003		Isolator	Insulator
2	441P140002	PF 102	Maschinenbrennerkörper, P 140	Machine torch body, P 140
2a	441P101800	TP 12	Griffrohr AUT Plasma	Handle tube AUT Plasma
3	446P102002		Luftverteiler, (MS)	Air diffusor, (brass)
4	441P010001	PR 101	Elektrode HF	Electrode HF
5	441P020010	PE 101	Luftverteiler - Vespel®	Swirl ring - Vespel®
6	441P020001	PD 101-11	Plasmaduese 1.1mm	Plasma tip 1.1mm
6	441P020002	PD 101-14	Plasmaduese 1.4mm	Plasma tip 1.4mm
6	441P020003	PD 101-17	Plasmaduese 1.7mm	Plasma tip 1.7mm
6	441P020004	PD101-19	Plasmaduese 1.9mm	Plasma tip 1.9mm
6	441P020005	PD101-30	Plasmaduese 3.0mm	Gauging tip 3.0mm
7	446P102004		Langer Luftverteiler, (MS)	Extended air diffusor, (MS)
7a	441P010020		Elektrode lang, HF	Extended electrode long, HF
8	441P020015	PD 111	Plasmaduese lang (max. 50A)	Extended tip (max. 50A)
9	441P020016	PD 117-14	Plasmaduese lang, 1.40mm	Extended tip, 1.40mm
9	441P020017	PD 117-17	Plasmaduese lang, 1.70mm	Extended tip, 1.70mm
9	441P020018		Plasmaduese lang, 1.90mm	Extended tip, 1.90mm
10	441P010401	PC101/102	Schutzkappe	Nozzle retaining cap
11	441P010402	PC103	Kontaktschutzkappe	Contact nozzle retaining cap
11	441P010403	PC 103/V	Kontaktschutzkappe - Vespel	Contact nozzle retaining cap - Vespel®
12	441P020011	CV 23	Abstandshalter	Spacer for contact cutting
13	441P102053	CV 39	Grosser Abstandshalter	Large spacer for contact cutting
h.Ab	441P020012	FH 297	Isolierscheibe fuer Kontaktschutzkappe	Washer for cap retaining, (contact cutting)
14	446P102063		Federhalter mit Nut	Spring holder protection nut
15	446P102064		Abstandsfeder fuer 446P102063	Spacer spring for 446P102063
17	446P102060		Abstandshalter (HAND)	Spacer for contact cutting, hand
18	446P102061		Abstandshalter zum Kontaktschneiden (M)	Shield cup (machine)
19	446P102065		Abstandshalter zum Handschneiden, (50A)	Shield cup, hand (max 50A)
20	446P102066		Abstandshalter zum Handschneiden	Spacer for contact cutting, hand
21	446P102067		Verschlussmutter	Locking nut
22	446P102044		Abstandshalter mit Feder	Spacer cpl. with springs
22a	446P102045		Abstandsfeder fuer 446P102044	Spring for 446P102044
23	441P020009	CV 11	Abstandsfeder	Spacer spring
24	441P010005	CV 12	Abstandshalter	Double pointed spacer
25	441P020301	CV 14	Kronenkappe	Crown spacer
26	446P102051		Metallabdeckkappe	Gauging spacer
27	441P010303	GR 60	Werkzeug fuer Luftverteiler	Extractor for swirl ring
28	441P020310		Elektrodenschlüssel	Wrench for electrode

TBI is in no way affiliated with TRAFIMET®. The parts advertised for sale are not genuine TRAFIMET® parts, but are parts made for and by **TBI**. Reference to TRAFIMET® machine, torches and numbers are for your convenience only. We reserve the right to substitute genuine TRAFIMET® parts in place of **TBI** parts.



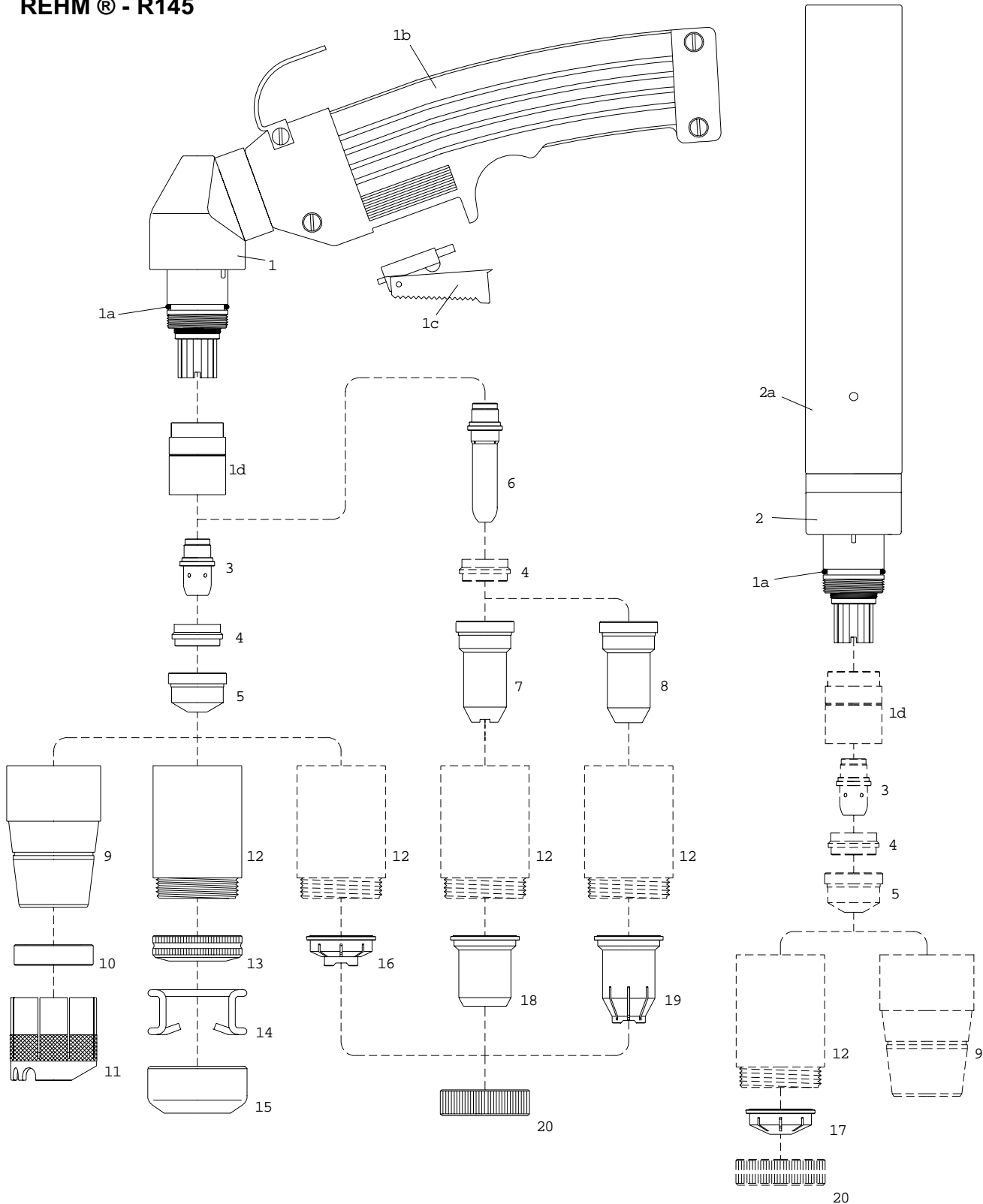
Ersatzteile passend für:
Replacement parts suitable for:

PRL_04/01

Seite / Page
37

TRAFIMET® - R 145 - R 145 P

REHM® - R145

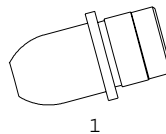


TBi is in no way affiliated with TRAFIMET®. The parts advertised for sale are not genuine TRAFIMET® parts, but are parts made for and by TBi. Reference to TRAFIMET® machine, torches and numbers are for your convenience only. We reserve the right to substitute genuine TRAFIMET® parts in place of TBi parts.


TRAFIMET® - R 145 - R 145 P / REHM® - R145

Pos.	Part No.	Ref. No.	Bezeichnung	Description
	441P145E06	PA 129	Plasmabrenner R 145, 6m (M14X1)	Hand cutting torch R 145, 6m (M14X1)
	441P145Z06		Plasmabrenner R 145, 6m ZA	Hand cutting torch R 145, 6m CA
	441P145K06	PF 127	Maschinenbrenner R 145, 6m (M14x1)	Machine cutting torch R 145, 6m (M14x1)
	441P145Y06	PF 252	Maschinenbrenner R 145, 6m ZA	Machine cutting torch R 145, 6m CA
1	441P145020	PF 112	Plasmabrennerkörper, R 145	Torch body, R 145
1a	365P190180	EA 131	O-Ring 19.00x1.80	O-Ring 19.00x1.80
1b	380P200391		Griffschale schwarz, 2-polig	Handle black, cpl.
1c	385P021016		Druckschalter, rot, 2-polig, Standard	Trigger, red, 2 poles, standard
1d	446P102003		Isolator - Vespel®	Insulator - Vespel®
2	441P145021	PF 111	Maschinenbrennerkörper, P 145	Machine torch body, P 145
2a	441P101800	TP 12	Griffrohr AUT Plasma	Handle tube AUT Plasma
3	441P145001	PR 111	Elektrode HF	Electrode HF
4	441P145002	PE 103	Luftverteiler - Vespel®	Swirl ring - Vespel®
5	441P145003	PD109-14	Plasmaduese 1.4mm	Plasma tip 1.4mm
5	441P145004	PD109-16	Plasmaduese 1.6mm	Plasma tip 1.6mm
5	441P145005	PD109-19	Plasmaduese 1.9mm	Plasma tip 1.9mm
5	441P145006	PD109-30	Plasmaduese 3.0mm	Plasma tip 3.0mm
6	441P145010	PR 116	Elektrode, lang, HD - HF	Extended electrode HF, long life
7	441P145014		Lange Plasmaduese 1.2mm	Extended tip 1.2mm
8	441P145011		Lange Plasmaduese 1.4mm	Extended tip 1.4mm
8	441P145012		Lange Plasmaduese 1.7mm	Extended tip 1.7mm
8	441P145013		Lange Plasmaduese 1.9mm	Extended tip 1.9mm
9	441P145007	PC 120	Schutzkappe	Nozzle retaining cap
10	441P145008	BW 139	Schutzring	Nozzle shield
11	441P145009	CV 1105	Metallschutzkappe	Gauging spacer
12	441P010402	PC 103	Kontaktschutzkappe	Contact nozzle retaining cap
12	441P010403	PC 103/V	Kontaktschutzkappe - Vespel	Contact nozzle retaining cap - Vespel®
13	446P102063		Federhalter mit Nut	Spring holder protection nut
14	446P102064		Abstandsfeder fuer 446P102063	Spacer spring for 446P102063
15	446P102068		Schutz zum Fugenhobeln (Handschnitten)	Gauging spacer
16	446P102060		Abstandshalter (HAND)	Spacer for contact cutting, hand
17	446P102061		Abstandshalter zum Kontaktschneiden (M)	Shield cup (machine)
18	446P102065		Abstandshalter zum Handschneiden, (50A)	Shield cup, hand (max 50A)
19	446P102066		Abstandshalter zum Handschneiden	Spacer for contact cutting, hand
20	446P102067		Verschlussmutter	Locking nut

TBi is in no way affiliated with TRAFIMET®. The parts advertised for sale are not genuine TRAFIMET® parts, but are parts made for and by TBi. Reference to TRAFIMET® machine, torches and numbers are for your convenience only. We reserve the right to substitute genuine TRAFIMET® parts in place of TBi parts.

**EUROPLASMA®
A 90 - A 140**


Pos.	Part No.	Ref. No.	Bezeichnung	Description
1	441P141001	PR 241	Elektrode HF	Electrode HF

TBi is in no way affiliated with TRAFIMET®. The parts advertised for sale are not genuine TRAFIMET® parts, but are parts made for and by TBi. Reference to TRAFIMET® machine, torches and numbers are for your convenience only. We reserve the right to substitute genuine TRAFIMET® parts in place of TBi parts.

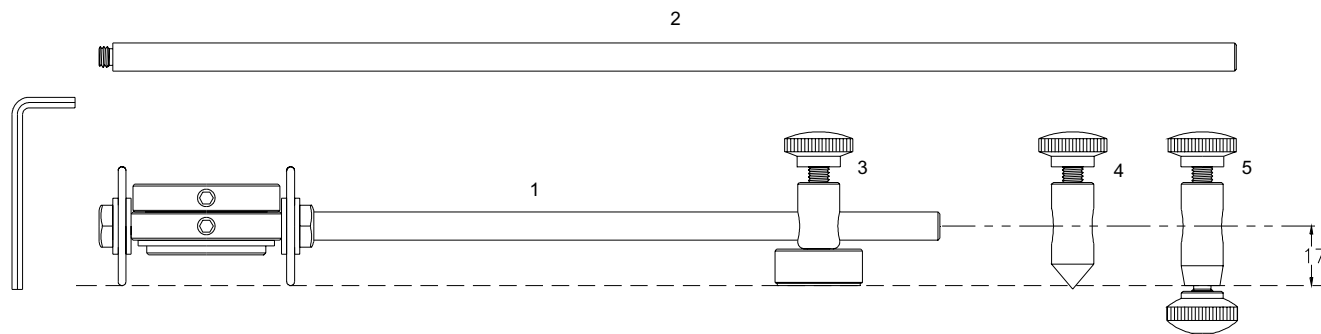


**Ersatzteile passend für:
Replacement parts suitable for:**

PRL_04/01

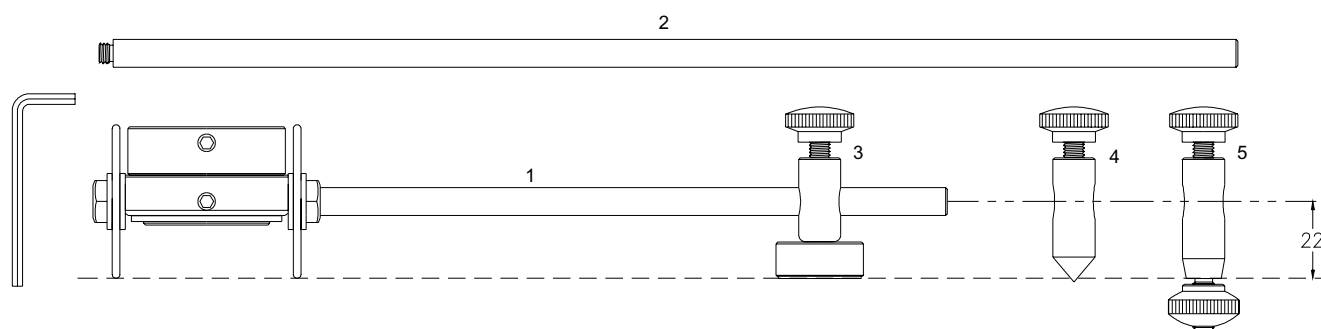
Seite / Page
39

**CEBORA® - PROF 35 / 50 / 70 / CP90
EWS® - EX 40 - 2V / EX 60 / EX 100 RF**



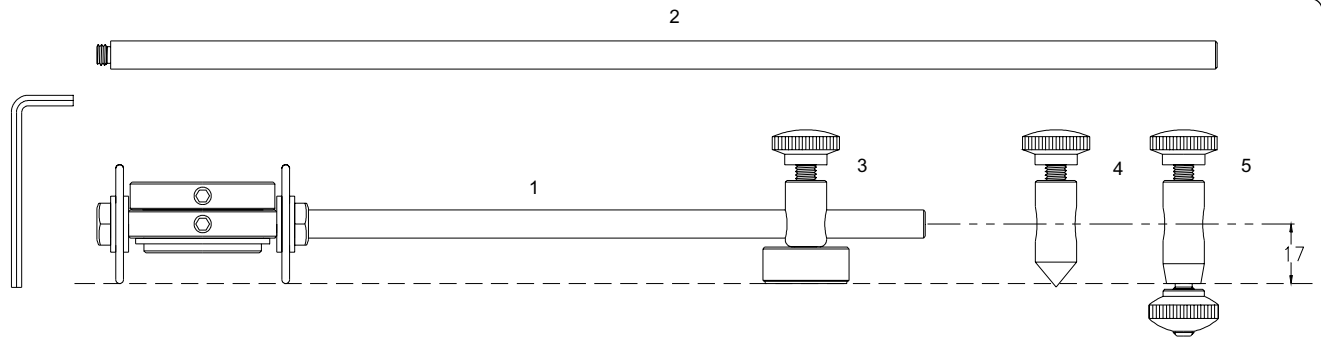
Pos.	Part No.	Ref. No.	Bezeichnung	Description
	441P101900	166	Brennerwagen, passend P 50	Cutting guide, suitable P 50
	441P101910	154	Zirkeleinheit, passend P 50	Circle cutting attachment, suitable P 50
	441P070900		Zirkeleinheit, passend P 70	Circle cutting attachment, suitable P 70
	441P070901		Brennerwagen, passend P 70	Cutting guide, suitable P 70
	441P091900	163	Zirkeleinheit, passend CP 90	Circle cutting attachment, suitable CP 90
	441P091901	153	Brennerwagen, passend CP 90	Cutting guide, suitable CP 90
	448P902900		Zirkeleinheit, passend OTC D-12000	Circle cutting attachment, suitable OTC D-12000
	448P902901		Brennerwagen, passend OTC D-12000	Cutting guide, suitable OTC D-12000
1	441P102980		Stange fuer Radien (250mm)	Radius bar (250mm)
2	441P102981		Stange fuer Radien (435mm)	Radius bar (435mm)
3	441P102986		Magnetfuss klein	Magnetfuss small
4	441P102987		Zentrierstift klein	Free centering straight pin
5	441P102988		Feste Zentrierung klein	Straight looking pin

**CEBORA® - PROF 90 / 120 / 150
TRAFIMET® - A 90 / 140
EWS® - EX 100 / EX 100 M / EX 100 M-3V**

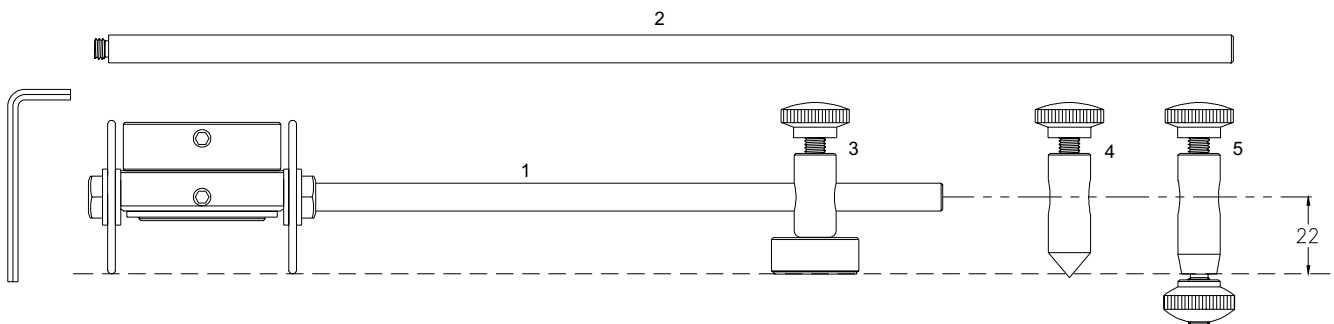


Pos.	Part No.	Ref. No.	Bezeichnung	Description
	446P101990	169	Zirkeleinheit	Circle cutting attachment
	446P101900	155	Brennerwagen	Cutting guide
1	441P102980		Stange fuer Radien (250mm)	Radius bar (250mm)
2	441P102981		Stange fuer Radien (435mm)	Radius bar (435mm)
3	441P102970		Magnetfuss gross	Magnetig base assembly
4	441P102971		Zentrierstift gross	Free centering straight pin
5	441P102972		Feste Zentrierung gross	Straight looking pin

Ersatzteile passend für: Replacement parts suitable for:



Pos.	Part No.	Bezeichnung	Description	List Price
	441P884920	Zirkeleinheit, passend MILLER® ICE 50C	Circle cutting attachment, suitable MILLER® ICE 50C	
	441P884921	Brennerwagen, passend MILLER® ICE 50C passend HY Max 40/42®-Pmax 800/900®	Cutting guide, suitable MILLER® ICE 50C suitable HY Max 40/42®-Pmax 800/900®	
	444P001900	Brennerwagen, passend P 30	Cutting guide, suitable P 30	
	444P001901	Zirkeleinheit, passend P 30	Circle cutting attachment, suitable P 30	
	443P101900	Brennerwagen, passend P 60/121	Cutting guide, suitable P 60/121	
	443P101990	Zirkeleinheit, passend P 60/121	Circle cutting attachment, suitable P 60/121	
	442P101900	Brennerwagen, TSP 32/32KK	Cutting guide, TSP 32/32KK	
	442P101990	Zirkeleinheit, passend TSP 32/32KK	Circle cutting attachment, suitable TSP 32/32KK	
	441P848900	Zirkeleinheit, passend SAF®	Circle cutting attachment, suitable SAF®	
	441P848901	Brennerwagen, passend SAF® CP 40R / CP 100R	Cutting guide, suitable SAF® CP 40R / CP 100R	
	441P101910	Zirkeleinheit, passend Trafimet®	Circle cutting attachment, suitable Trafimet®	
	441P101911	Brennerwagen, passend Trafimet® A 53 / S 54 / A 60 / A 80	Cutting guide, suitable Trafimet® A 53 / S 54 / A 60 / A 80	
1	441P102980	Stange fuer Radien (250mm)	Radius bar (250mm)	
2	441P102981	Stange fuer Radien (435mm)	Radius bar (435mm)	
3	441P102986	Magnetfuss klein	Magnetfuss small	
4	441P102987	Zentrierstift klein	Free centering straight pin	
5	441P102988	Feste Zentrierung klein	Straight looking pin	



Pos.	Part No.	Bezeichnung	Description
	441P884910	Zirkeleinheit	Circle cutting attachment
	441P884911	Brennerwagen	Cutting guide
1	441P102980	Stange fuer Radien (250mm)	Radius bar (250mm)
2	441P102981	Stange fuer Radien (435mm)	Radius bar (435mm)
3	441P102970	Magnetfuss gross	Magnetig base assembly
4	441P102971	Zentrierstift gross	Free centering straight pin
5	441P102972	Feste Zentrierung gross	Straight looking pin

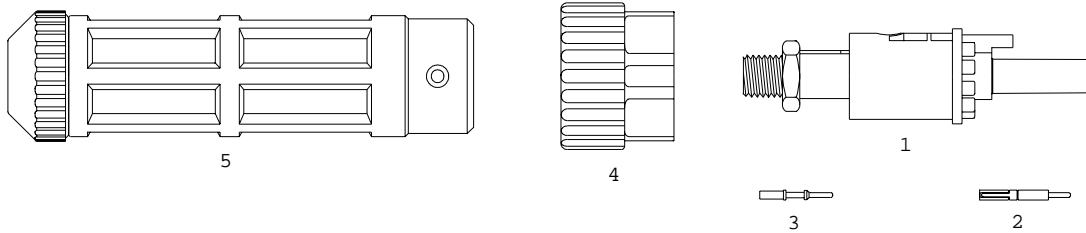


**Ersatzteile passend für:
Replacement parts suitable for:**

PRL_04/01

Seite / Page
41

TORCH SIDE / BRENNERSEITE



TIG
2 pins

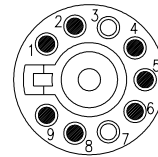
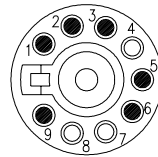
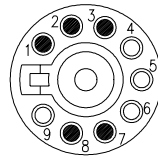
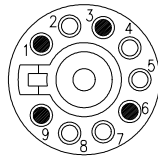
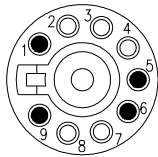
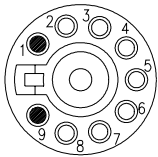
TECMO
4 pins

FRIMAR®
4 pins

SELCO®
5 pins

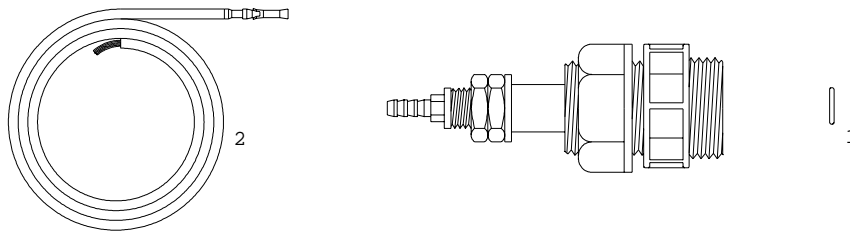
CEBORA®
6 pins

WTC®
7 pins



Pos.	Part No.	Bezeichnung	Description
1	701P171000	Stecker E/M, 7-polig	Central adaptor cpl. 7 pin
2	701P102102	Stecker/Buchse (E/M)	Male/female pin connector
3	701P102103	Buchse/Stecker (E/M)	Contact pin
4	701P002081	PVC-Anschlussmutter	PVC adaptor nut
5	701P001045	Knickschutz 2-teilig kpl.	Cable support cpl.

MACHINE SIDE / MASCHINENSEITE



TIG
2 pins

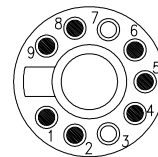
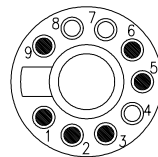
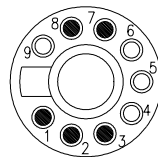
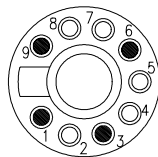
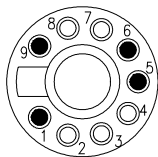
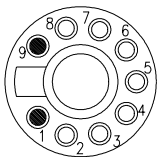
TECMO
4 pins

FRIMAR®
4 pins

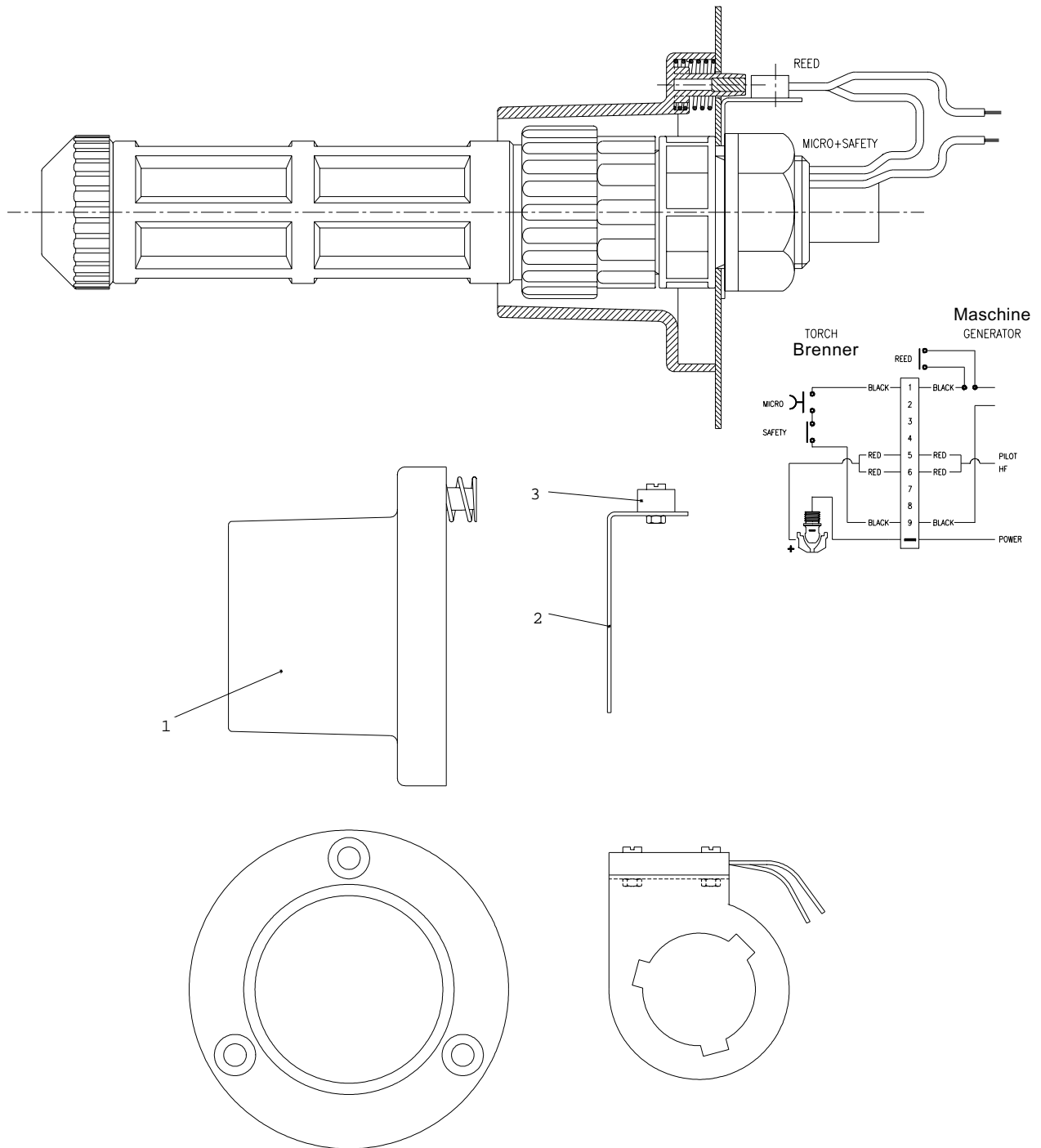
SELCO®
5 pins

CEBORA®
6 pins

WTC®
7 pins



Pos.	Part No.	Bezeichnung	Description
1	701P171001	Buchse E/M, 7-polig	Central connector machine side 7 pin
2	701P102097	Steuerleitungsbuchse L=500mm blau	Contact pin w/blue lead L=500mm
2	701P102098	Steuerleitungsbuchse L=500mm rot	Contact pin w/red lead L=500mm
2	701P102099	Steuerleitungsbuchse L=500mm (E/M)	Contact pin w/black lead L=500mm



Pos.	Part No.	Bezeichnung	Description
	441P101700	Plasmaflansch kpl. mit Sicherheitsabschaltung Flansch kpl. mit Magnet und Feder, Reed Schalter, Befestigungsplatte, Schrauben und Mutter for relais, reed relais, screws and nuts	Central adapter safety kit cpl. Casing cpl. With magnet and spring, Anchor bracket switch, reed relais, screws and nuts
1	441P102700	Plasmaflansch	Casing cpl. With magnet and spring
2	441P102701	Befestigungsplatte	Anchor bracket for relais
3	441P102702	Reed Schalter	Reed relais

Das gesamte Programm von TBI Industries The complete program of TBI Industries



MIG/MAG Schweißbrenner

- gas- und wassergekühlt
- Hand-, Push-Pull, Absaug- und Automatenbrenner

MIG/MAG Welding torches

- gas and water cooled
- manual, push-pull, extraction and automatic torches

WIG Schweißbrenner

- gas- und wassergekühlt •
- Hand- und Automatenbrenner, Kaltdrahtzuführung •

TIG Welding torches

- gas and water cooled •
- manual and automatic torches, wire feeding system •



Plasma Schneidbrenner

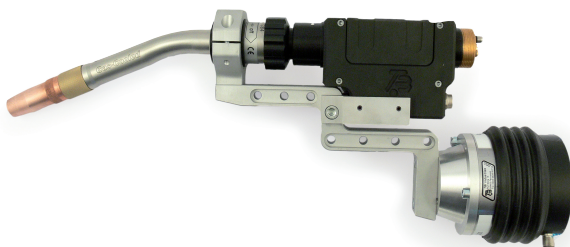
- gas- und wassergekühlt •
- Hand- und Automatenbrenner •

Plasma cutting torches

- gas and water cooled •
- manual and automatic torches •

Schweißzubehör

Welding accessories



MIG/MAG Roboterbrenner

- wassergekühlt
- adaptierbar an nahezu alle Roboter

MIG/MAG Robo torches

- water cooled
- adaptable to almost all robots