

## **Plasma Cutting Torches and Consumables**

**Suitable for Thermal Dynamics**





# Table of contents

PCH-10 _____	page .....	3
PCH-25 _____	page .....	3
PCH-25/38 _____	page .....	4
PCH-26 _____	page .....	4
PCH/M-28 _____	page .....	5
PCH/M-35 _____	page .....	6
PCH/M-75 _____	page .....	7
PCH/M-76 _____	page .....	8
PCH/M-100XL _____	page .....	9
PCH/M-40 _____	page .....	10
PCH/M-60 _____	page .....	11
PCH/M-80 _____	page .....	12
PCH-20 _____	page .....	13
PCH-30 _____	page .....	13
PCH-50 _____	page .....	13
PCH/M-51 _____	page .....	14
PCH/M-52 _____	page .....	15
PCH-52P _____	page .....	16
PCH-53P _____	page .....	16

## ACCESSORIES

CIRCLE CUTTING ATTACHMENTS _____	page .....	17
----------------------------------	------------	----

**TBi** is in no way affiliated with Thermal Dynamics®. The parts advertised for sale are not genuine Thermal Dynamics® parts, but are parts made for and by **TBi** reference to Thermal Dynamics® machine, torches and numbers are for your convenience only. We reserve the right to substitute genuine Thermal Dynamics® parts in place of **TBi** parts.

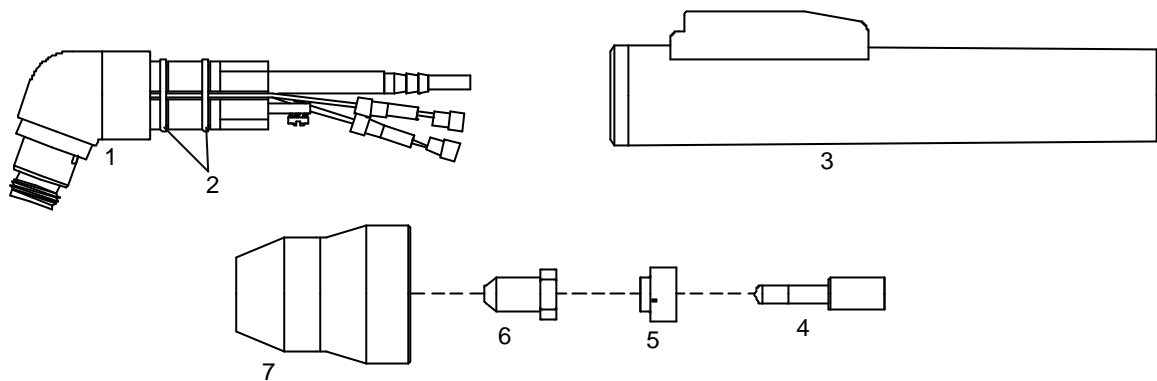


## UNIT/TORCH COMPARISON FOR THERMAL DYNAMICS CUTTING SYSTEMS

UNIT	TORCH	UNIT	TORCH
4Xi /6Xi	PCH/M51	Pak-1250XR	PCH/M52
CC-65	M-200	Pak-1250XR	PCH52P
CC-66	M-200	Pak-15XC	PCH/M-150
Cougar 125	PCH-10	Pak-15XC W/Max 300 retrofit	PCM/145
Cut Master 80XL	PCH/M75	Pak-2XT	PCH20
Drag-Gun	PCH-10	Pak-3	PCH30
Drag-Gun 38	PCH-25/38	Pak-3XR	PCH/M51
Dynapak 110	PCH20	Pak-44	PCH/M6B
Econopak 100	PCH/M76	Pak-45	PCH/M6B
Econopak 25	PCH-25	Pak-5	PCH50
Econopak 50	PCH-26	Pak-5 (Mech)	PCH/M4B(T)
Merlin 1000	Maximizer 300	Pak-5XR Dual Gas	PCH/M52
Merlin 3000	PCM/145	Pak-5XT	PCH/M51
Merlin 3000	Maximizer 300	Pak-625XR	PCH/M75
Merlin 6000	Maximizer 300	Pak-625XR	PCH/M51
Merlin 6000GST	Maximizer 300	Pak-625XR Dual Gas	PCH/M52
Pak Master 100	PCH53P	Pak-6XR	PCH/M51
Pak Master 100	PCH/M53	Pak-6XR Dual Gas	PCH/M52
Pak Master 100XL	PCH/M100XL	Pak-750XR	PCH/M51
Pak Master 100XL Plus	PCH/M80	Pak-750XR Dual Gas	PCH/M52
Pak Master 150XL	PCH/M120	Pak-7XR	PCH/M51
Pak Master 25	PCH-25 Pak	Pak-7XR Dual Gas	PCH/M52
Master 38XL	PCH-25/38	Pak-8XR	PCH/M52
Pak Master 50XL Plus	PCH/M40	Pak-Master 50XL	PCH/M-28
Pak Master 75	PCH/M75	Pak Master 50	PCH/M35
Pak Master 75XL	PCH/M75	Stak Pak	PCH/M35
Pak Master 75XL Plus	PCH/M60	Stak Pak	PCH/M70
Pak-10	PCH/M4B(T)	Stak Pak	PCH/M140
Pak-1000XR	PCH/M52	Stak Pak	PCH/M145
Pak-10XR	PCH/M100	TA-500	M-200
Pak-10XR	PCH/M52	TAC-500	M-200
Pak-10XR (Mech)	PCH/M4B(T)	TD750	PCM/145



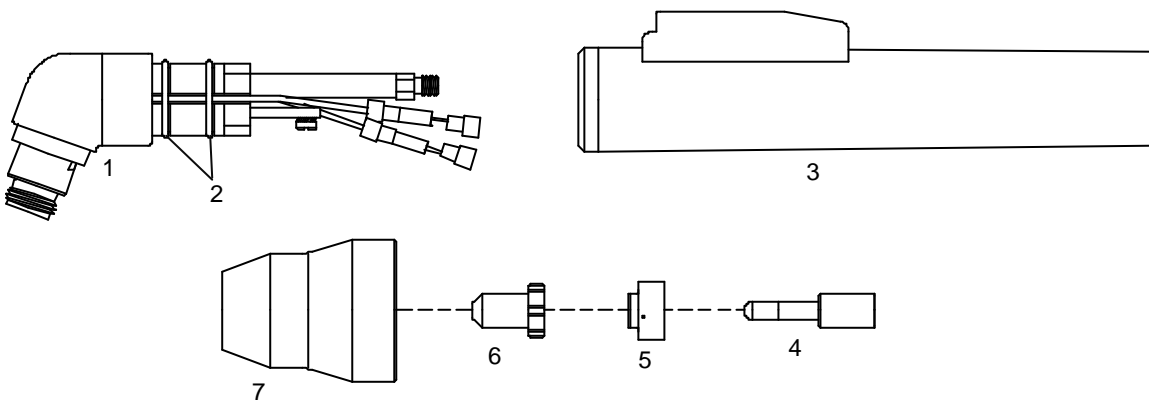
## PCH-10 Drag-Gun, Cougar 125



Pos.	Part no.	Ref. no.	Description	PU
N/S	441P884A16	2-1020	Hand torch PCH 10 complete with 20' ( 6 mts ) cable	1
1	441P884590	9-0016	70° Hand torch head	1
2	365P884001	8-0533	O-Ring	20
3	380P200398	9-0019E	Handgrip complete with microswitch	1
4	441P884660	9-6006	Electrode - Hf	10
5	441P884662	9-6007	Gas Distributor	10
6	441P884591	9-6099	Tip - Air	10
7	441P884666	9-6003	Shield Cup	10

CIRCLE CUTTING ATTACHMENT: See page no. 17

## PCH-25 Econopak 25, Pak Master 25

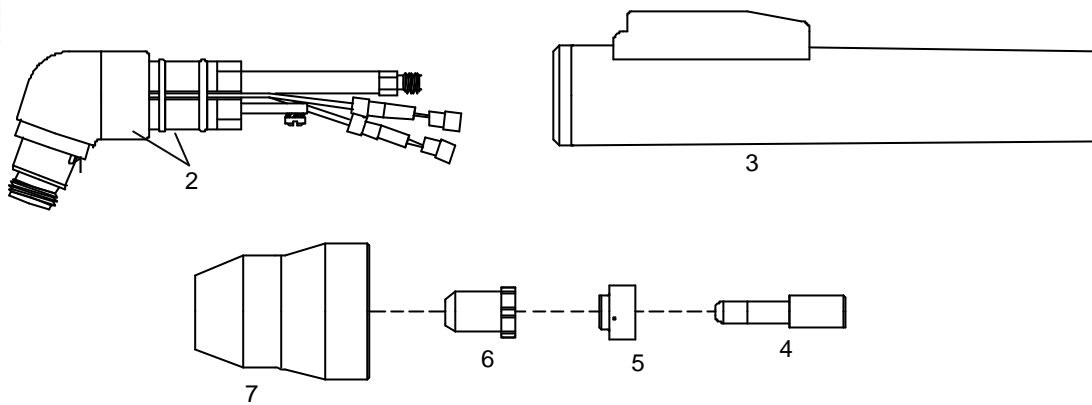


Pos.	Part no.	Ref. no.	Description	PU
N/S	441P884A24	2-0250	Hand torch PCH 25 complete with 12.5' ( 3.8 mts ) cable	1
N/S	441P884A28	2-0251	Hand torch PCH 25 complete with 25' ( 7.5 mts ) cable	1
1	441P884680	9-5807	70° Hand torch head	1
2	365P884001	8-0533	O-Ring	20
3	380P200398	9-6282E	Handgrip complete with microswitch	1
4	441P884660	9-6006	Electrode - Hf	10
5	441P884662	9-6007	Gas Distributor	10
6	441P884675	9-4476	Tip - Air	10
7	441P884666	9-6003	Shield Cup	10
N/S	316P460674	4-6067	Air and power cable 12.5' ( 3.8 mts ) - Hand torch	1
N/S	316P460688	4-6068	Air and power cable 25' ( 7.5 mts ) - Hand torch	1

CIRCLE CUTTING ATTACHMENT: See page no. 17



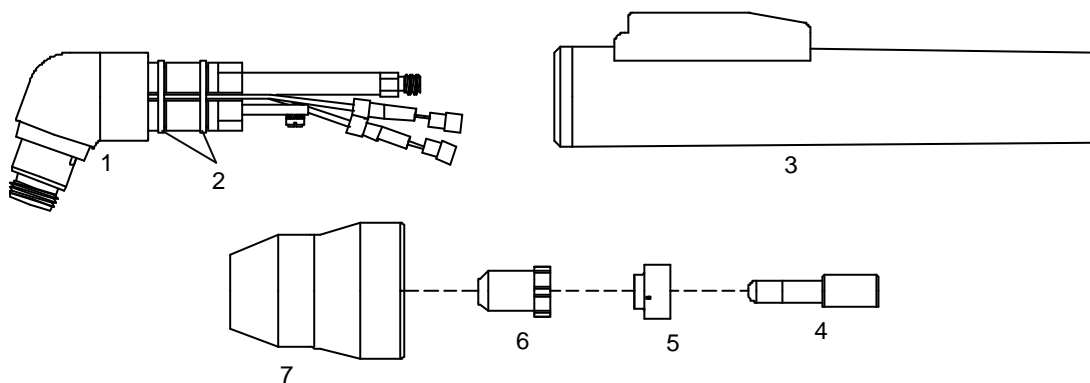
## PCH-25/38 Pak Master 38XL, Drag-Gun 38



Pos.	Part no.	Ref. no.	Description	PU
N/S	441P884A24	2-0380	Hand torch PCH 25/38 complete with 12,5' ( 3.8 mts )	1
N/S	441P884A28	2-0381	Hand torch PCH 25/38 complete with 25' ( 7.5 mts )	1
1	441P884680	9-5807	70° Hand torch head	1
2	365P884001	8-0533	O-Ring	20
3	380P200398	9-6282E	Handgrip complete with microswitch	1
4	441P884669	9-6506	Electrode - Hf	10
5	441P884676	9-6507	Gas Distributor	10
6	441P884678	9-6501	Tip - Air	10
7	441P884666	9-6003	Shield Cup	10
N/S	316P460674	4-6067	Air and power cable 12.5' ( 3.8 mts ) - Hand torch	1
N/S	316P460688	4-6068	Air and power cable 25' ( 7.5 mts ) - Hand torch	1

CIRCLE CUTTING ATTACHMENT: See page no. 17

## PCH-26 Econopak 50

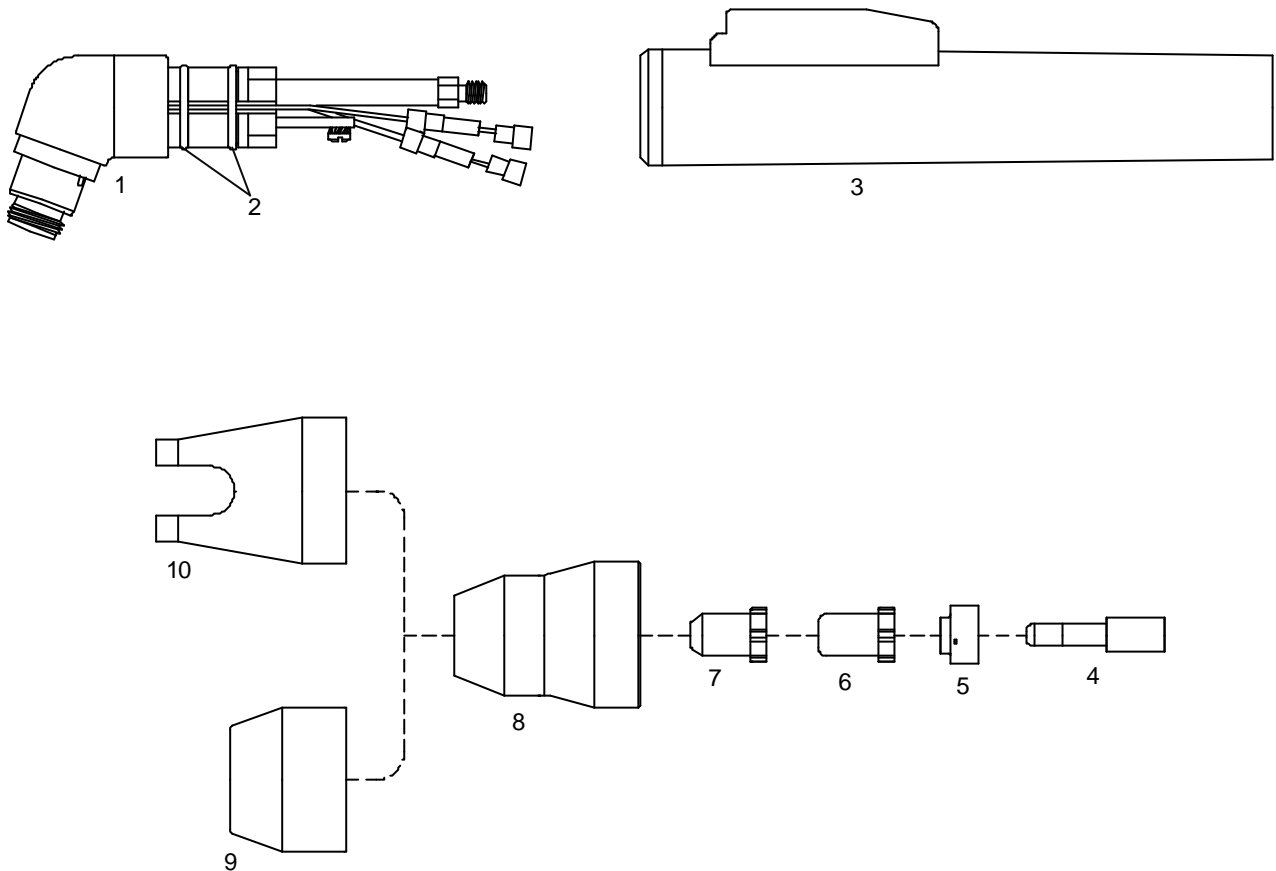


Pos.	Part no.	Ref. no.	Description	PU
N/S	441P884B14	2-3501	Hand torch PCH 26 complete with 12,5' ( 3.8 mts )	1
N/S	441P884B18	2-3511	Hand torch PCH 26 complete with 25' ( 7.5 mts )	1
1	441P884680	9-5807	70° Hand torch head	1
2	365P884001	8-0533	O-Ring	20
3	380P200398	9-6282E	Handgrip complete with microswitch	1
4	441P884669	9-6506	Electrode - Hf	10
5	441P884676	9-6507	Gas Distributor	10
6	441P884678	9-6501	Tip - Air	10
7	441P884666	9-6003	Shield Cup	10
N/S	316P460714	4-6071	Air and power cable 12.5' ( 3.8 mts ) - Hand torch	1
N/S	316P460728	4-6072	Air and power cable 25' ( 7.5 mts ) - Hand torch	1

CIRCLE CUTTING ATTACHMENT: See page no. 17



# PCH/M-28 Pak Master 50XL

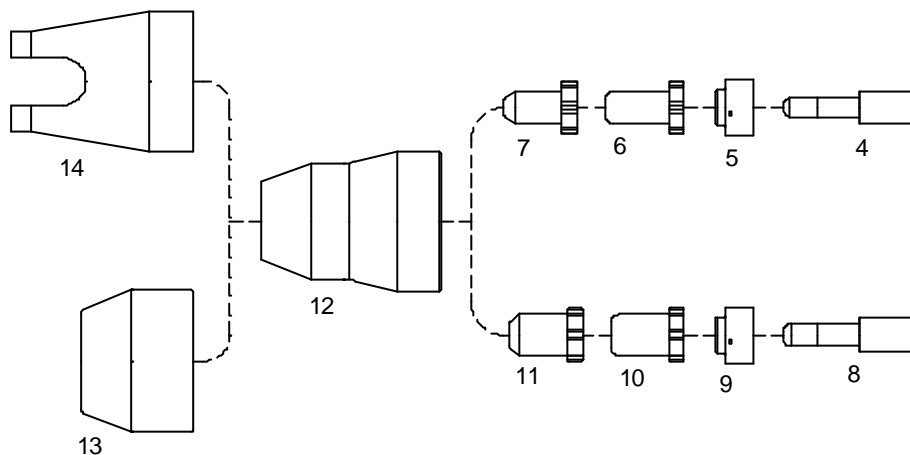
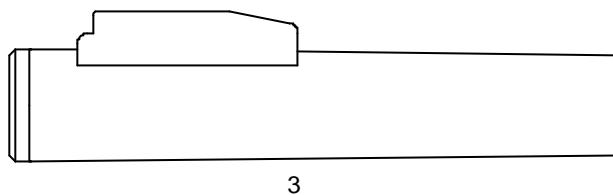
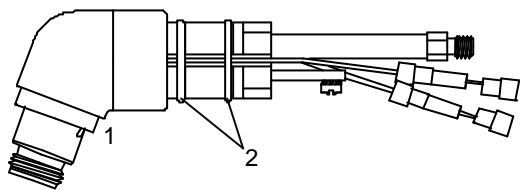


Pos.	Part no.	Ref. no.	Description	PU
N/S	441P884C18	2-5801	Hand torch PCH/M 28 complete with 25' ( 7.5 mts ) cable	1
N/S	441P884C1E	2-5802	Hand torch PCH/M 28complete with 50' ( 15 mts ) cable	1
1	441P884680	9-5807	70° Hand torch head PCH/M 28	1
2	365P884001	8-0533	O-Ring	20
3	380P200398	9-6291E	Handgrip complete with microswitch	1
4	441P884669	9-6506	Electrode - Hf (long life)	10
5	441P884676	9-6507	Gas Distributor (long life)	10
6	441P884677	9-6500	Tip - Standoff (long life)	10
7	441P884678	9-6501	Tip - Drag (long life)	10
8	441P884666	9-6003	Shield Cup - Std	10
9	441P884679	9-6503	Shield Cup - Maximum Life (requires 441P884666)	10
10	441P884667	9-6004	Shield Cup - Crown (requires 441P884666)	10
N/S	316P429954	4-2995	Air and power cable 25' ( 7.5 mts ) - Hand torch	1
N/S	316P429968	4-2996	Air and power cable 50' ( 15 mts ) - Hand torch	1

CIRCLE CUTTING ATTACHMENT: See page no. 17



# PCH/M-35 Pak Master 50, Stak Pak

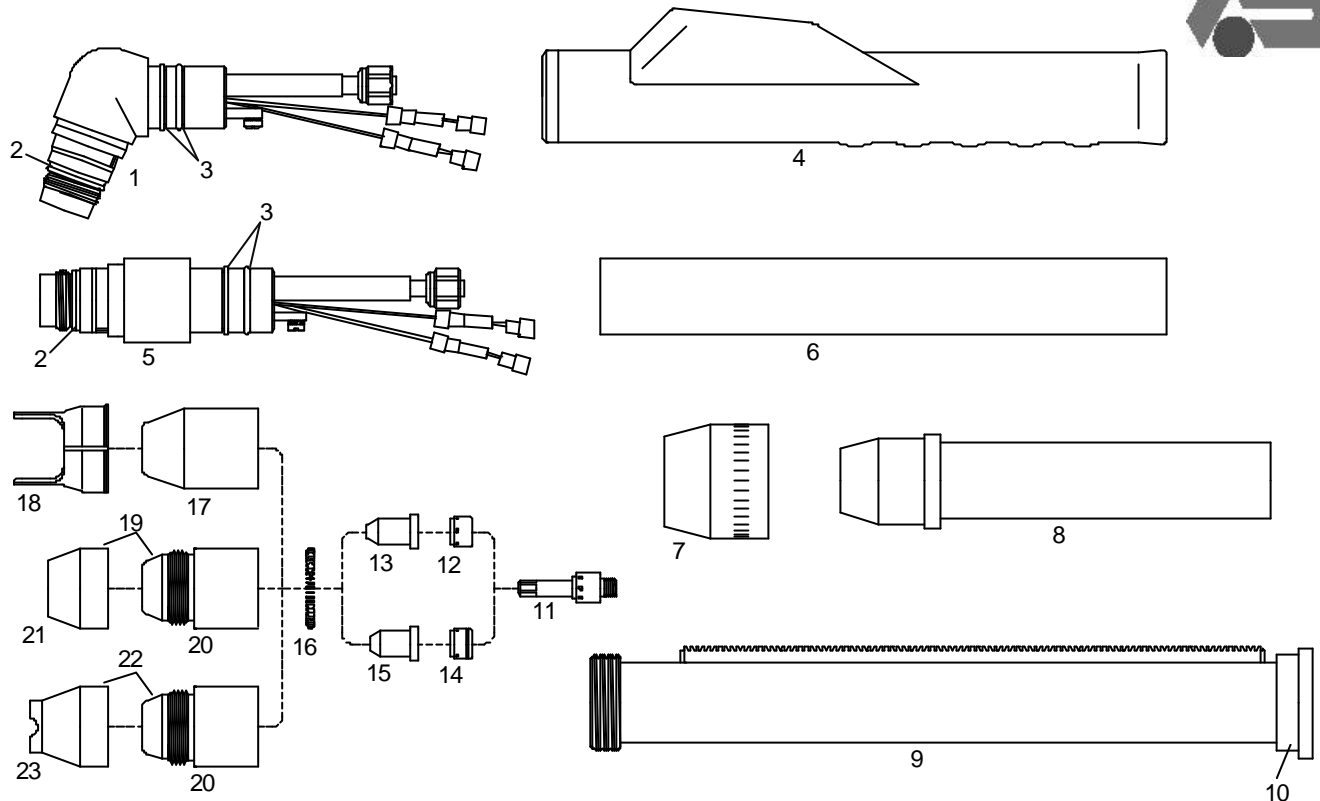


Pos.	Part no.	Ref. no.	Description	PU
N/S	441P884L18		Hand torch PCH/M 35 complete with 25' ( 7.5 mts ) cable	1
1	441P884680	9-5807	70° Hand torch head PCH/M 35	1
2	365P884001	8-0533	O-Ring	20
3	380P200398	8-4305E	Handgrip complete with microswitch	1
4	441P884660	9-6006	Electrode - Hf	10
5	441P884662	9-6007	Gas Distributor	10
6	441P884663	9-6000	Tip - 35 Amp. Air	10
	441P884664	9-6002	Tip - Gouging - Groove Air	10
7	441P884665	9-6001	Tip - Drag Cut Air	10
8	441P884669	9-6506	Electrode - Hf (long life)	10
9	441P884676	9-6507	Gas Distributor (long life)	10
10	441P884677	9-6500	Tip - Standoff (long life)	10
11	441P884678	9-6501	Tip - Drag (long life)	10
12	441P884666	9-6003	Shield Cup - Std	10
13	441P884679	9-6503	Shield Cup - Maximum Life (requires 441P884666)	10
14	441P884667	9-6004	Shield Cup - Crown (requires 441P884666)	10

CIRCLE CUTTING ATTACHMENT: See page no. 17



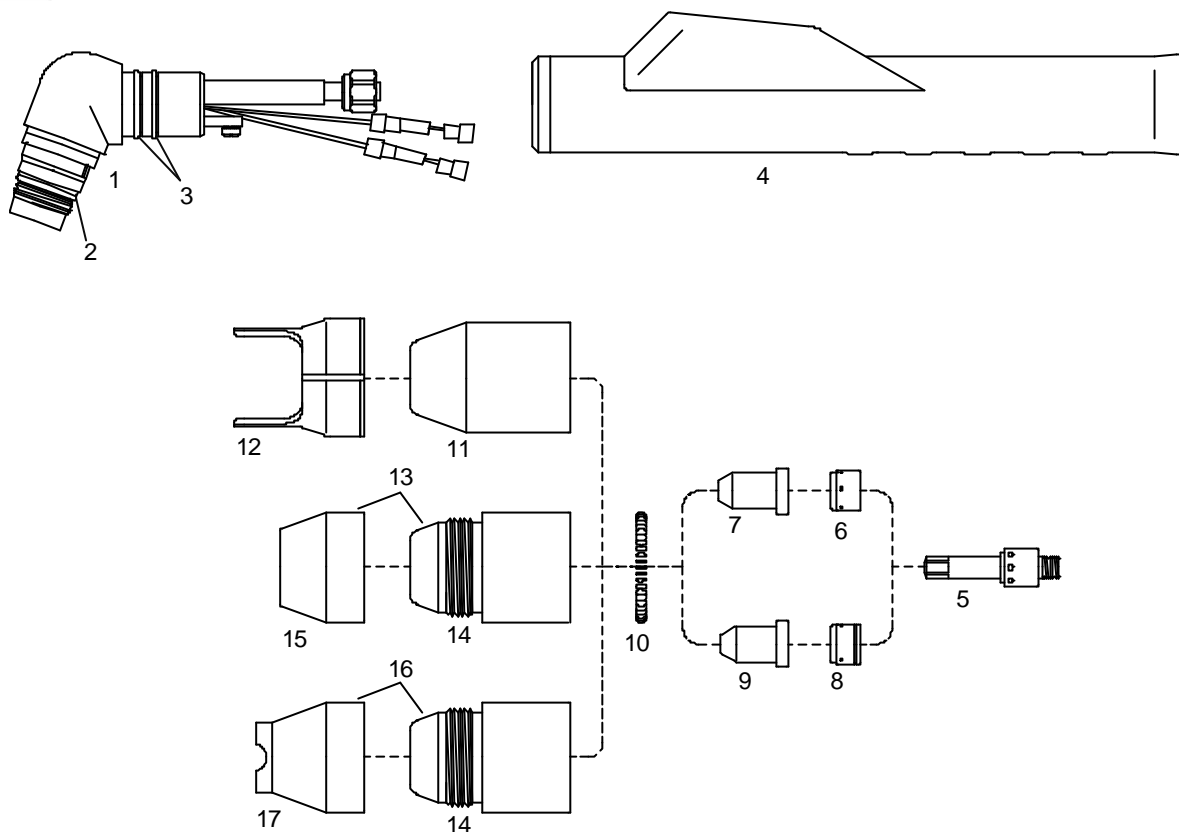
## PCH/M-75 Pak Master 75, Pak Master 75XL, 625XR, Cut Master 80XL



Pos.	Part no.	Ref. no.	Description	PU
N/S	441P884H48	2-7801	Hand torch PCH/M 75 cpl. with 25' ( 7.5 mts ) cable	1
N/S	441P884H4E	2-7802	Hand torch PCH/M 75 cpl. with 50' ( 15 mts ) cable	1
N/S	441P884M48	2-7805	Machine torch PCH/M 75 cpl. with 25' ( 7.5 mts ) cable,(handle item 6)	1
N/S	441P884M4E	2-7806	Machine torch PCH/M 75 cpl. with 50' ( 15 mts ) cable,(handle item 6)	1
1	441P884592	8-7510	70° Hand torch head PCH/M 75	1
2	365P0EA125	8-0532	O-Ring ( shield cup )	20
3	365P884001	8-0533	O-Ring ( handle )	20
4	441P884599	9-5636E	Handgrip complete with microswitch ( incl. 9-5636, 9-7502, 8-1322 )	1
5	441P884507	8-7512	180° Machine torch head PCH/M 75	1
6	441P884507	9-5637E	Machine handle	1
7	441P884536	8-4018	Nut	1
8	441P884537	9-5637	Adaptor	1
9	441P884538	8-5005	Positioning tube	1
10	441P884539	8-4204	End Cap	1
11	441P884578	8-7502	Electrode, long life	10
12	441P884594	8-7501	Gas distributor, cutting	10
13	441P884595	8-7503	Tip, cutting 35A - ø 0,99 - .039	10
	441P884596	8-7504	Tip, cutting 55A - ø 1,17 - .046	10
14	441P884597	8-7508	Gas distributor, gouging	10
15	441P884598	8-7506	Tip, Gouging - ø 1,86 - .073	10
16	441P884570	9-7501E	Coil spring	10
17	441P884571	8-7500	Shield cup	10
18	441P884572	8-7575	Double pointed spacer	10
19	441P884573	8-7496	Shield cup maximum life, complete	10
20	441P884574	8-7498	Shield cup body	10
21	441P884575	8-7497	Heat shield ( copper )	10
22	441P884576	8-7507	Crown shield cup assembly	10
23	441P884577	8-7499	Crown cup shield ( copper )	10
N/S	316P478018	4-7801	Air and power cable 25' ( 7.5 mts ) - Hand torch	1
N/S	316P47802E	4-7802	Air and power cable 50' ( 15 mts ) - Hand torch	1
N/S	316P478038	4-7803	Air and power cable 25' ( 7.5 mts ) - Machine torch	1
N/S	316P47804E	4-7804	Air and power cable 50' ( 15 mts ) - Machine torch	1

CIRCLE CUTTING ATTACHMENT: See page no. 17



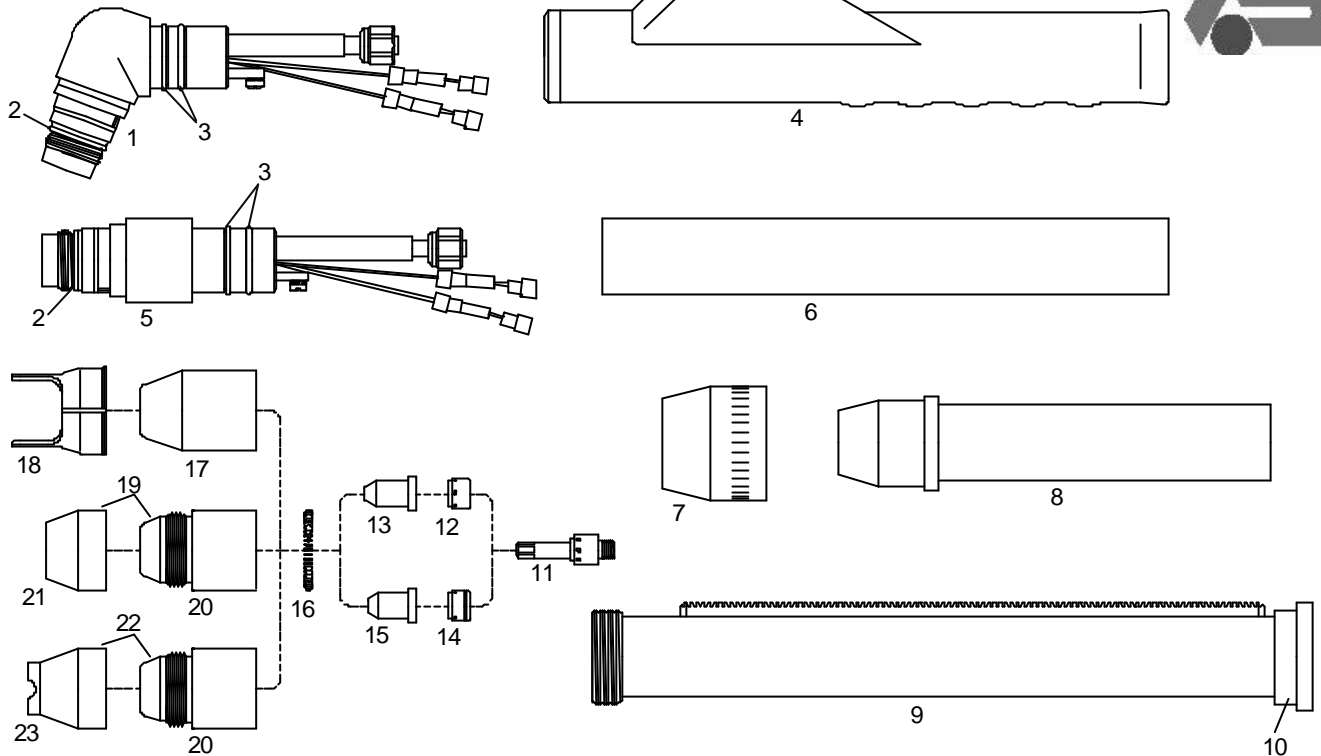

**PCH/M-76 Econopak 100**


Pos.	Part no.	Ref. no.	Description	PU
N/S	441P884H58	2-7811	Hand torch PCH/M 76 complete with 25' ( 7.5 mts ) cable	1
N/S	441P884H5E	2-7812	Hand torch PCH/M 76 complete with 50' ( 15 mts ) cable	1
1	441P884592	8-7510	70° Torch Head	1
2	365P0EA125	8-0532	O-Ring ( Shield Cup ), ( 20 pcs. )	20
3	365P884001	8-0533	O-Ring ( Handle ), ( 20 pcs. )	20
4	441P884508	9-5636E	Handgrip complete with microswitch ( incl. 9-5636, 9-7502, 8-1322 )	1
5	441P884578	8-7502	Electrode, long life	10
6	441P884594	8-7501	Gas distributor, cutting	10
7	441P884595	8-7503	Tip, cutting 35A - $\varnothing$ 0,99 - .039	10
	441P884579	8-7505	Tip, cutting 60A - $\varnothing$ 1,32 - .052	10
8	441P884597	8-7508	Gas distributor, gouging	10
9	441P884598	8-7506	Tip, Gouging - $\varnothing$ 1,86 - .073	10
10	441P884570	9-7501E	Coil spring ( 10 pcs. )	10
11	441P884571	8-7500	Shield cup	10
12	441P884572	8-7575	Double pointed spacer	10
13	441P884573	8-7496	Shield cup maximum life, complete	10
14	441P884574	8-7498	Shield cup body	10
15	441P884575	8-7497	Heat shield ( copper )	10
16	441P884576	8-7507	Crown shield cup assembly	10
17	441P884577	8-7499	Crown cup shield ( copper )	10
N/S	316P476118	4-7611	Air and power cable 25' ( 7.5 mts ) - Hand torch	1
N/S	316P47612E	4-7612	Air and power cable 50' ( 15 mts ) - Hand torch	1

CIRCLE CUTTING ATTACHMENT: See page no. 17

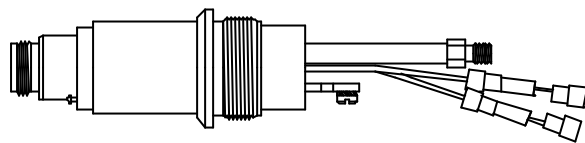
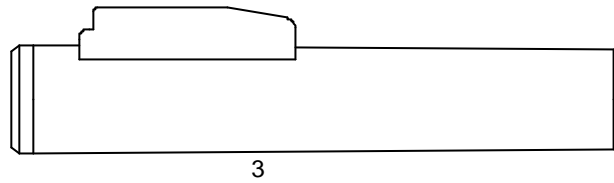
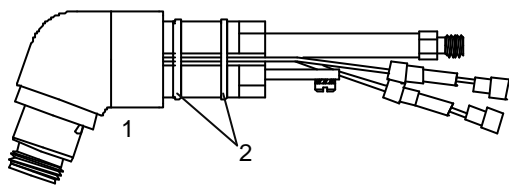


## PCH/M-100XL Pak Master 100XL



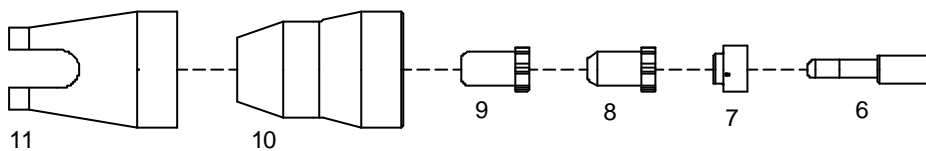
Pos.	Part no.	Ref. no.	Description	PU
N/S	441P884H48	2-0801	Hand torch PCH/M 100XL cpl. with 25' ( 7.5 mts ) cable	1
N/S	441P884H4E	2-0802	Hand torch PCH/M 100XL cpl. with 50' ( 15 mts ) cable	1
N/S	441P884M48	2-0805	Machine torch PCH/M 100XL cpl. with 25' ( 7.5 mts ) cable, (handle item 6) 1	1
N/S	441P884M4E	2-0806	Machine torch PCH/M 100XL cpl. with 50' ( 15 mts ) cable, (handle item 6) 1	1
1	441P884592	8-7510	70° Torch Head	1
2	365P0EA125	8-0532	O-Ring ( shieldCup )	20
3	365P884001	8-0533	O-Ring ( handle )	20
4	441P884508	9-5636E	Handgrip complete with microswitch ( incl. 9-5636, 9-7502, 8-1322 )	1
5	441P884599	8-7512	180° Torch Head	1
6	441P884507	9-5637E	Machine handle	1
7	441P884536	8-4018	Nut	1
8	441P884537	9-5637	Adaptor	1
9	441P884538	8-5005	Positioning tube	1
10	441P884539	8-4204	End Cap	1
11	441P884578	8-7502	Electrode, long life	10
12	441P884594	8-7501	Gas distributor, cutting	10
13	441P884595	8-7503	Tip, cutting 35A - ø 0,99 - .039	10
	441P884596	8-7504	Tip, cutting 55A - ø 1,17 - .046	10
	441P884579	8-7505	Tip, cutting 70A - ø 1,32 - .052	10
14	441P884597	8-7508	Gas distributor, gouging	10
15	441P884598	8-7506	Tip, Gouging - ø 1,86 - .073	10
16	441P884570	9-7501E	Coil spring	10
17	441P884571	8-7500	Shield cup	10
18	441P884572	8-7575	Double pointed spacer	10
19	441P884573	8-7496	Shield cup maximum life, complete	10
20	441P884574	8-7498	Shield cup body	10
21	441P884575	8-7497	Heat shield ( copper )	10
22	441P884576	8-7507	Crown shield cup assembly	10
23	441P884577	8-7499	Crown cup shield ( copper )	10
N/S	316P408108	4-0810	Air and power cable 25' ( 7.5 mts ) - Hand torch	1
N/S	316P40811E	4-0811	Air and power cable 50' ( 15 mts ) - Hand torch	1
N/S	316P408128	4-0812	Air and power cable 25' ( 7.5 mts ) - Machine torch	1
N/S	316P40813E	4-0813	Air and power cable 50' ( 15 mts ) - Machine torch	1

CIRCLE CUTTING ATTACHMENT: See page no. 17


**PCH/M-40 Pak Master 50XL Plus**


4

5



11

10

9

8

7

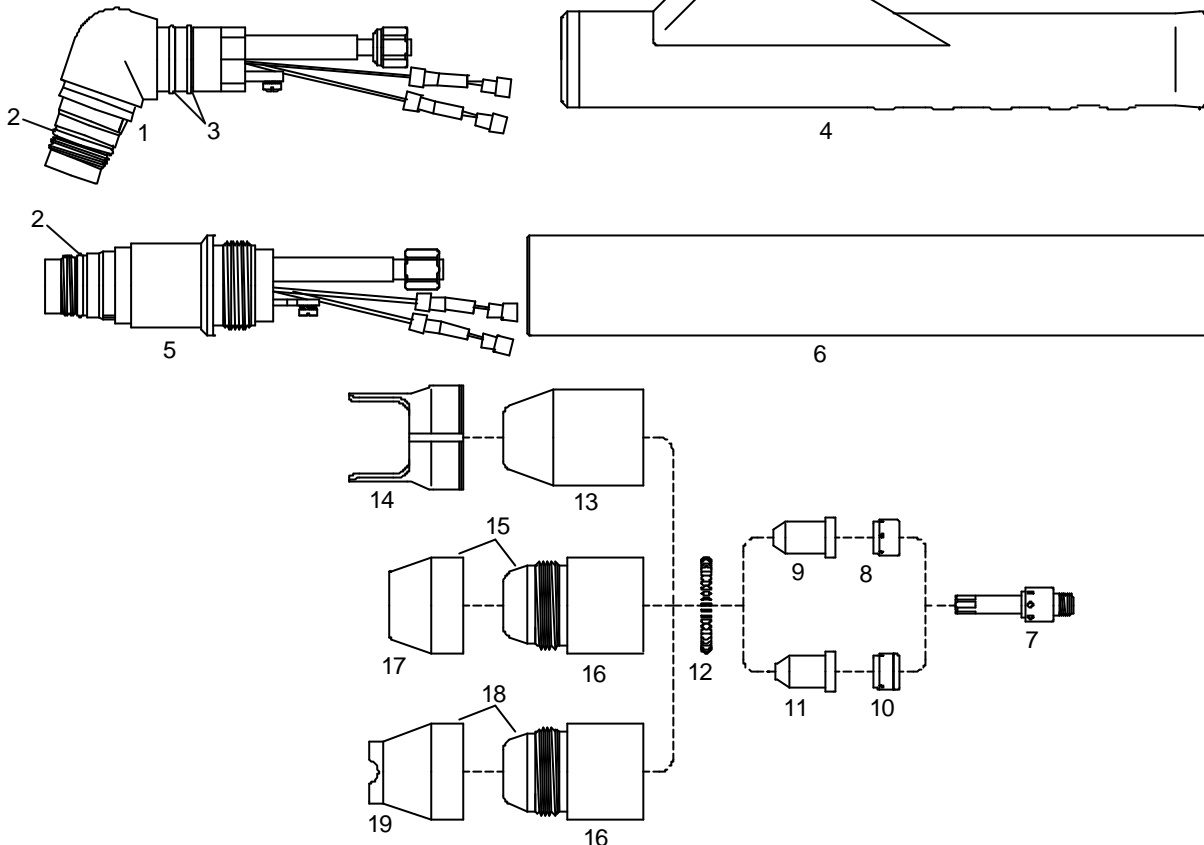
6

Pos.	Part no.	Ref. no.	Description	PU
N/S	441P884018	2-5035	Hand torch PCH/M 40 cpl. with 25' ( 7.5 mts ) cable	1
N/S	441P88401E	2-5036	Hand torch PCH/M 40 cpl. with 50' ( 15 mts ) cable	1
N/S	441P884A18	2-5039	Machine torch PCH/M 40 cpl. with 25' ( 7.5 mts ) cable	1
N/S	441P884A1E	2-5040	Machine torch PCH/M 40 cpl. with 50' ( 15 mts ) cable	1
1	441P884950	9-8055	70° Hand torch head PCH/M 40	1
2	365P884001	8-0533	O-Ring	20
3	380P200398	9-8059	Handgrip complete with microswitch	1
4	441P884949	9-8053	180° Machine torch head PCH/M 40	1
5	441P884948	9-7833	Machine handle	1
6	441P884669	9-6506	Electrode - Hf (long life)	10
7	441P884676	9-6507	Gas Distributor (long life)	10
8	441P884678	9-6501	Tip - Drag (long life)	10
9	441P884677	9-6500	Tip - Standoff (long life)	10
	441P884947	9-6502	Tip - Gouging 1.2mm	10
10	441P884666	9-6003	Shield Cup - Std	10
11	441P884667	9-6004	Shield Cup - Crown (requires 441P884666)	10
N/S	316P408158	4-0815	Air and power cable 25' ( 7.5 mts ) - Hand torch	1
N/S	316P40816E	4-0816	Air and power cable 50' ( 15 mts )- Hand torch	1
N/S	316P428978	4-2897	Air and power cable 25' ( 7.5 mts ) - Machine torch	1
N/S	316P42898E	4-2898	Air and power cable 50' ( 15 mts )- Machine torch	1

CIRCLE CUTTING ATTACHMENT: See page no. 17



## PCH/M-60 Pak Master 75XL Plus

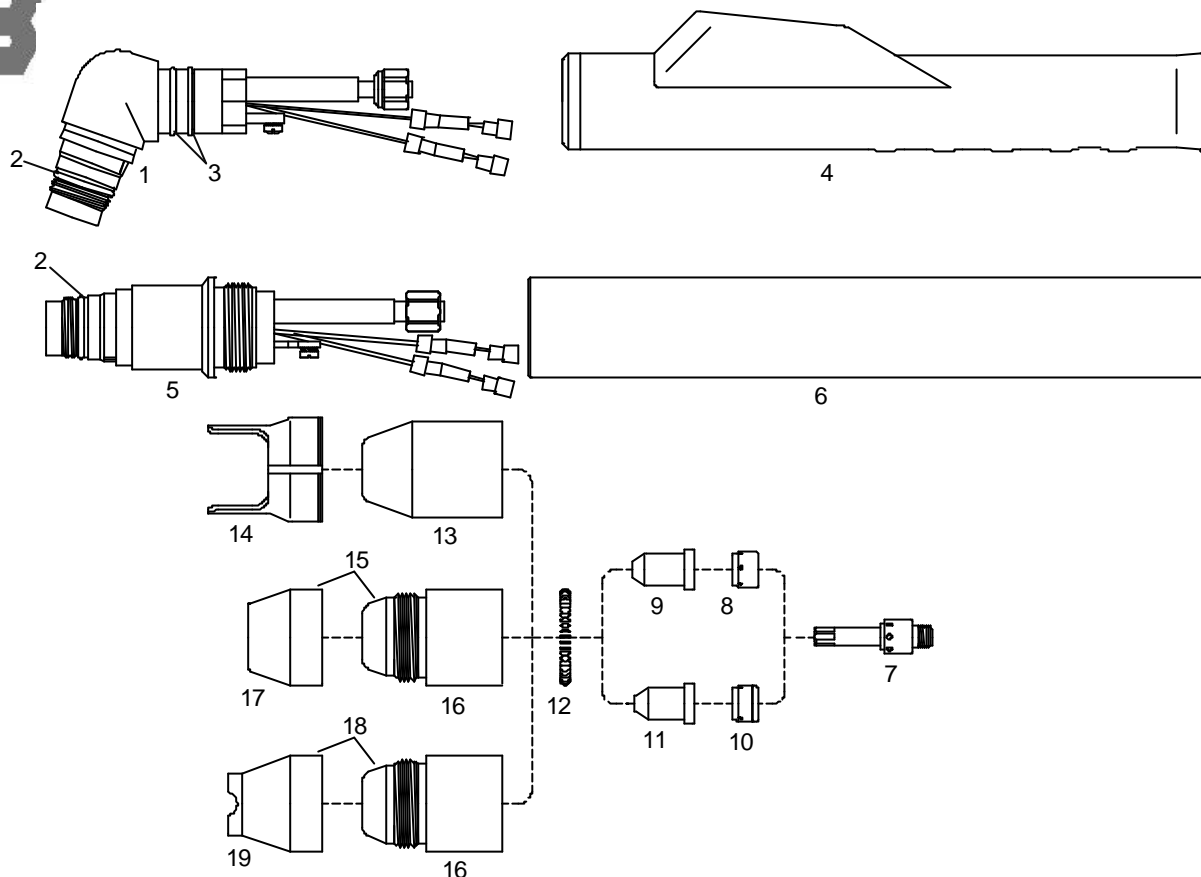


Pos.	Part no.	Ref. no.	Description	PU
N/S	441P884028	2-6660	Hand torch PCH/M 60 cpl. with 25' ( 7.5 mts ) cable	1
N/S	441P88402E	2-6661	Hand torch PCH/M 60 cpl. with 50' ( 15 mts ) cable	1
N/S	441P884A38	2-6664	Machine torch PCH/M 60 cpl. with 25' ( 7.5 mts ) cable	1
N/S	441P884A3E	2-6665	Machine torch PCH/M 60 cpl. with 50' ( 15 mts ) cable	1
1	441P884700	9-8075	70° Hand torch head PCH/M 60	1
2	365P884001	8-0533	O-Ring ( handle )	20
3	365P0EA125	8-0532	O-Ring ( shield cup )	20
4	441P884508	9-8066	Handgrip complete with microswitch	1
5	441P884701	9-8073	180° Machine torch head PCH/M 60	1
6	441P884948	9-7833	Machine handle	1
7	441P884578	8-7502	Electrode, long life	10
8	441P884594	8-7501	Gas distributor, cutting	10
9	441P884595	8-7503	Tip, cutting 35A - $\varnothing$ 0,99 - .039	10
	441P884946	9-7726	Tip, cutting 60A - $\varnothing$ 1,24 - .049	10
10	441P884597	8-7508	Gas distributor, gouging	10
11	441P884598	8-7506	Tip, Gouging - $\varnothing$ 1,86 - .073	10
12	441P884570	9-7501E	Coil spring	10
13	441P884571	8-7500	Shield cup	10
14	441P884572	8-7575	Double pointed spacer	10
15	441P884573	8-7496	Shield cup maximum life, complete	10
16	441P884574	8-7498	Shield cup body	10
17	441P884575	8-7497	Heat shield ( copper )	10
18	441P884576	8-7507	Crown shield cup assembly	10
19	441P884577	8-7499	Crown cup shield ( copper )	10
N/S	316P408198	4-0819	Air and power cable 25' ( 7.5 mts ) - Hand torch	1
N/S	316P40820E	4-0820	Air and power cable 50' ( 15 mts ) - Hand torch	1
N/S	316P475028	4-7502	Air and power cable 25' ( 7.5 mts ) - Machine torch	1
N/S	316P47503E	4-7503	Air and power cable 50' ( 15 mts ) - Machine torch	1

CIRCLE CUTTING ATTACHMENT: See page no. 17



# PCH/M-80 Pak Master 100XL Plus

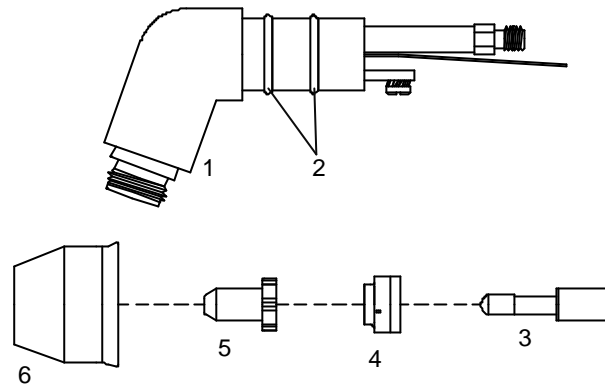


Pos.	Part no.	Ref. no.	Description	PU
N/S	441P884038	2-0080	Hand torch PCH/M 80 cpl. with 25' ( 7.5 mts ) cable	1
N/S	441P88403E	2-0081	Hand torch PCH/M 80 cpl. with 50' ( 15 mts ) cable	1
N/S	441P884A48	2-0084	Machine torch complete with 25' ( 7.5 mts ) cable	1
N/S	441P884A4E	2-0085	Machine torch complete with 50' ( 15 mts ) cable	1
1	441P884700	9-8075	70° Hand torch head PCH/M 60/80	1
2	365P0EA125	8-0532	O-Ring ( shield cup )	20
3	365P884001	8-0533	O-Ring ( handle )	20
4	441P884508	9-8066	Handgrip complete with microswitch	1
5	441P884701	9-8073	180° Machine torch head PCH/M 80	1
6	441P884948	9-7833	Machine handle	1
7	441P884578	8-7502	Electrode, long life	10
8	441P884594	8-7501	Gas distributor, cutting	10
9	441P884595	8-7503	Tip, cutting 35A - $\varnothing$ 0,99 - .039	10
	441P884596	8-7504	Tip, cutting 55A - $\varnothing$ 1,17 - .046	10
	441P884556	9-7728	Tip, cutting 80A - $\varnothing$ 1,39 - .055	10
10	441P884597	8-7508	Gas distributor, gouging	10
11	441P884598	8-7506	Tip, Gouging - $\varnothing$ 1,86 - .073	10
12	441P884570	9-7501E	Coil spring	10
13	441P884571	8-7500	Shield cup	10
14	441P884572	8-7575	Double pointed spacer	10
15	441P884573	8-7496	Shield cup maximum life, complete	10
16	441P884574	8-7498	Shield cup body	10
17	441P884575	8-7497	Heat shield ( copper )	10
18	441P884576	8-7507	Crown shield cup assembly	10
19	441P884577	8-7499	Crown cup shield ( copper )	10
N/S	316P408238	4-0823	Air and power cable 25' ( 7.5 mts ) - Hand torch	1
N/S	316P40824E	4-0824	Air and power cable 50' ( 15 mts ) - Hand torch	1
N/S	316P400128	4-0012	Air and power cable 25' ( 7.5 mts ) - Machine torch	1
N/S	316P40013E	4-0013	Air and power cable 50' ( 15 mts ) - Machine torch	1

CIRCLE CUTTING ATTACHMENT: See page no. 17

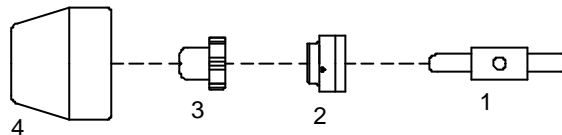


## PCH-20 Dynapak 110, Pak 2XT



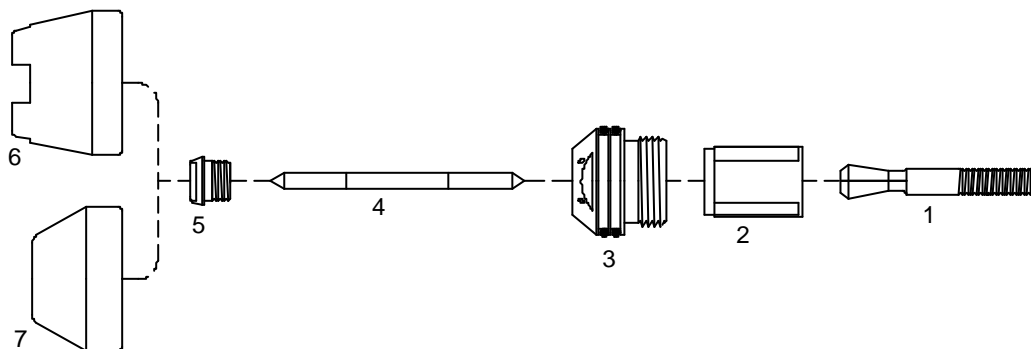
Pos.	Part no.	Ref. no.	Description	PU
1	441P884569	8-3220	70° Torch head PCH 20	1
2	365P884001	8-0533	O-Ring	20
3	441P884660	9-6006	Electrode	10
4	441P884670	8-3233	Gas Distributor	10
5	441P884671	8-3218	Tip	10
6	441P884672	8-3214	Shield Cup Std.	10

## PCH-30 Pak-3

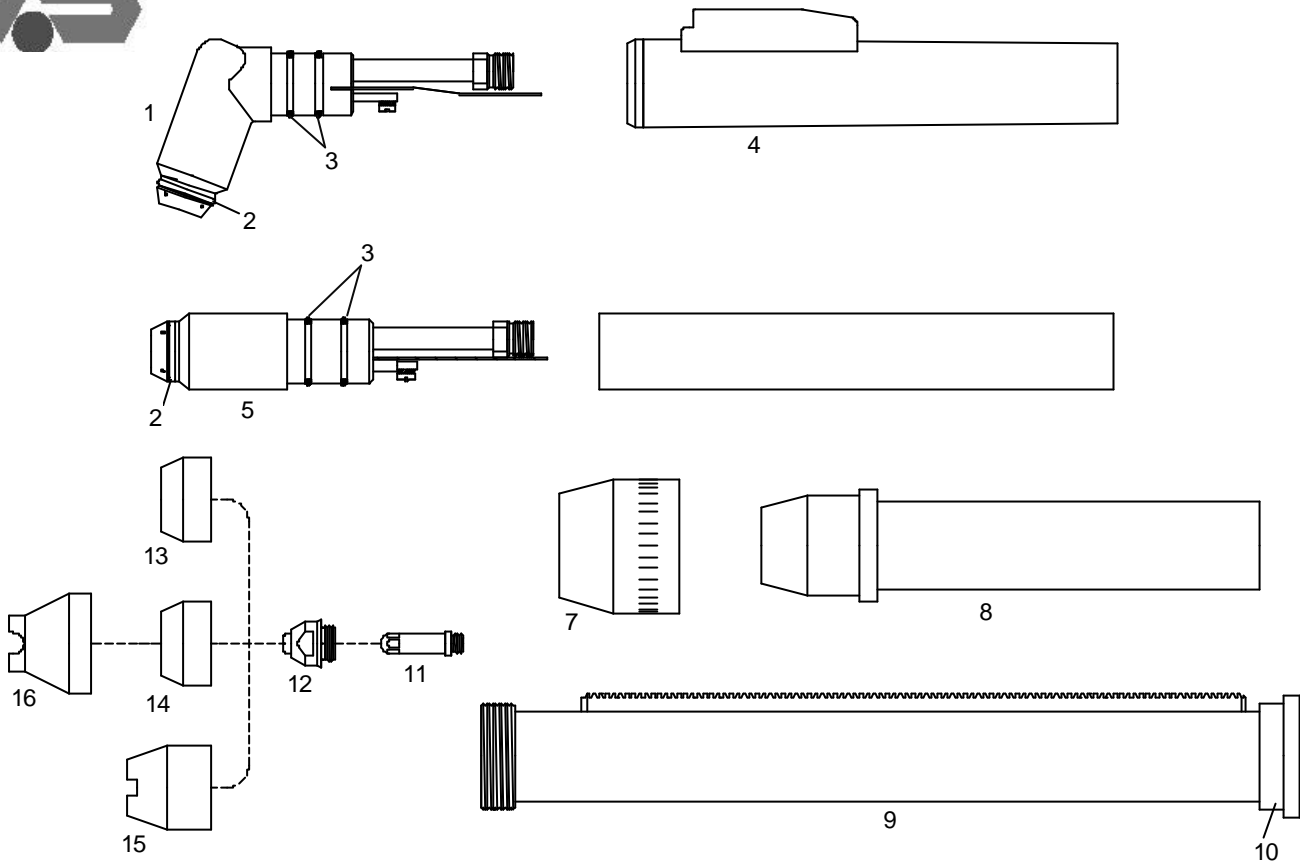


Pos.	Part no.	Ref. no.	Description	PU
1	441P884559	9-5503	Electrode	10
2	441P884670	8-3233	Gas Distributor	10
3	441P884558	9-5501	Tip	10
4	441P884557	9-5500	Shield Cup Std.	10

## PCH-50 Pak-5



Pos.	Part no.	Ref. no.	Description	PU
1	441P884430	8-5506	Collet	5
2	441P884431	8-5510	Sleeve	5
3	441P884532	8-5520	Liner (includes O-Rings)	5
4	441P884533	8-5508	Electrode	10
5	441P884534	8-5507	Tip	10
6	441P884535	8-5519	Shield Cup Crown Ceramic	10
7	441P884436	8-5505	Shield Cup Std. Ceramic	10


**PCH/M-51 4Xi, 6Xi, Pak-3XR, Pak-6XR, Pak-7XR, Pak-5XT, Pak-625XR, Pak-750XR**


Pos.	Part no.	Ref. no.	Description	PU
N/S	441P884T18	2-2860	Hand torch PCH/M 51 cpl. with 25' ( 7.5 mts ) cable	1
N/S	441P884T1G	2-2861	Hand torch PCH/M 51 cpl. with 50' ( 15 mts ) cable	1
N/S	441P884TM8	2-2864	Machine torch PCH/M 51 cpl. with 25' ( 7.5 mts ) cable, (handle item 6 )	1
N/S	441P884THG	2-2865	Machine torch PCH/M 51 cpl. with 50' ( 15 mts ) cable, (handle item 6 )	1
1	441P884515	9-5635	70° Hand torch head PCH/M 51	1
2	365P170178	8-5525	O-Ring (shield cup)	20
3	365P884001	8-0533	O-Ring ( handle )	20
4	380P200398	9-5636E	Handgrip complete with microswitch ( incl. 9-5636, 9-5522, 8-1322 )	1
5	441P884516	9-5634	180° Machine torch head PCH/M 51	1
6	441Ü884507	9-5637E	Machine handle	1
7	441P884536	8-4018	Nut	1
8	441P884537	9-5637	Adaptor	1
9	441P884538	8-5005	Positioning tube	1
10	441P884539	8-4204	End cap	1
11	441P884510	9-5633	Electrode, long life	10
	441P884517	9-5720	Electrode, 4X1	10
12	441P884518	9-5718	Tip 10-40A - Ø 0,96 - .038	10
	441P884511	9-5631	Tip 10-60A - Ø 1,10 - .043	10
	441P884519	8-3321	Tip 65A - Ø 1,20 - .047	10
	441P884514	9-5724	Tip Gouging - Ø 2,00 - .078	10
13	441P884512	9-5630	Shield Cup Ceramic	10
14	441P884535	8-2159	Shield Cup-Phenolic-Std.	10
15	441P884513	8-5526	Shield Cup-Crown-Ceramic	10
13	441P884509	9-5779	Shield Cup-Crown (fits over 441P884535)	10
N/S	316P450308	4-5030	Air and power cable 25' ( 7.5 mts ) - Hand torch	1
N/S	316P45031E	4-5031	Air and power cable 50' ( 15 mts ) - Hand torch	1
N/S	316P450328	4-5032	Air and power cable 25' ( 7.5 mts ) - Machine torch	1
N/S	316P45033E	4-5033	Air and power cable 50' ( 15 mts ) - Machine torch	1

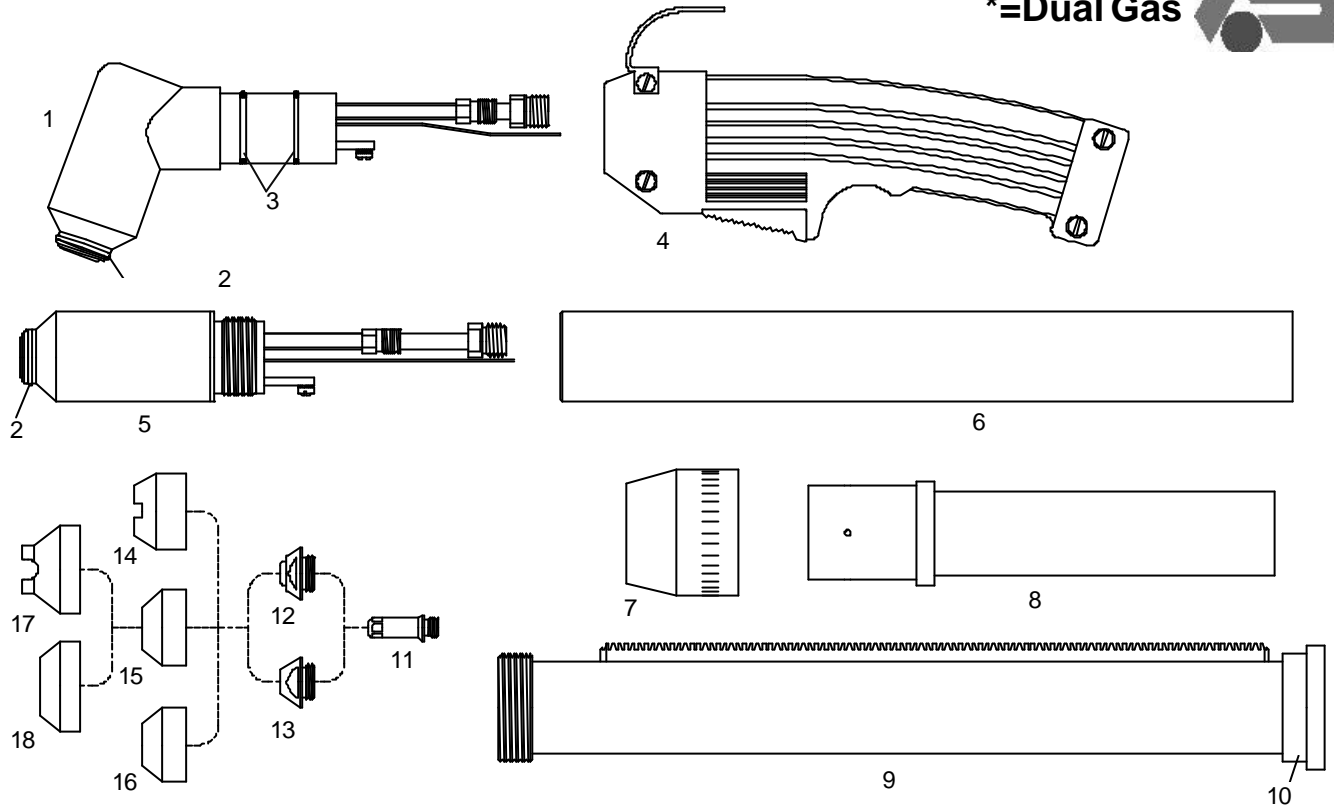
CIRCLE CUTTING ATTACHMENT: See page no. 17



## PCH/M-52

Pak-5XR\*, Pak-6XR\*, Pak-7XR, Pak-8XR, Pak-10XR, Pak-625XR\*,  
Pak-750XR\*, Pak-1000XR, Pak-1250XR

\*=Dual Gas



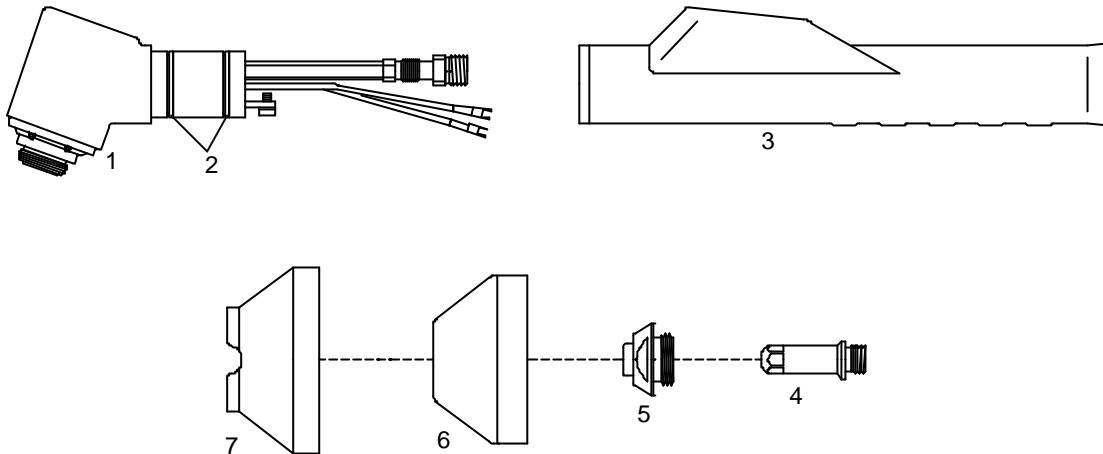
Pos.	Part no.	Ref. no.	Description	PU
N/S	441P884T28	2-2936	Hand torch complete with 25' ( 7.5 mts ) cable	1
N/S	441P884T2G	2-2937	Hand torch complete with 50' ( 15 mts ) cable	1
N/S	441P884T38	2-2938	Machine torch complete with 25' ( 7.5 mts ) cable, ( with handle item 6 )	1
N/S	441P884T3G	2-2939	Machine torch complete with 50' ( 15 mts ) cable, ( with handle item 6 )	1
1	441P884540	9-5642	70° Hand torch head PCH/M 52	1
2	365P170178	8-5525	O-Ring ( shield cup)	20
3	365P884005	8-0536	O-Ring (handle)	20
4	380P200398	9-5644E	Handgrip complete with microswitch ( incl. 9-5644, 9-5522, 8-4216 )	1
5	441P884541	9-5643	180° Machine torch head PCH/M 52	1
6	441P884948	9-7833	Machine handle	1
7	441P884536	8-4018	Nut	1
8	441P884537	9-5637	Adaptor	1
9	441P884538	8-5005	Positioning tube	1
10	441P884539	8-4204	End cap	1
11	441P884533	8-3331	Electrode Air, long life	10
	441P884520	9-5619	Electrode Air (plated), long life	10
	441P884534	9-5711	Electrode Multi Gas	10
12	441P884521	9-5702	Tip 35A - Ø 0,90 - .035	10
	441P884522	9-5618	Tip 45-55A - Ø 1,10 - .043	10
	441P884524	9-5707	Tip 60-70A - Ø 1,20 - .047	10
	441P884542	9-5782	Tip 80A - Ø 1,32 - .052	10
	441P884525	9-5708	Tip 105A - Ø 1,50 - .059	10
13	441P884543	8-5129	Tip Gouging	10
	441P884523	9-5709	Tip Gouging 70A - Ø 1,99 - .078	10
	441P884526	9-5710	Tip Gouging 105A - Ø 2,36 - .093	10
	441P884527	9-5713	Tip Gouging 105A - Ø 2,87 - .113	10
14	441P529529	9-5694	Shield Cup-Crown Ceramic	10
15	441P884532	9-5781	Shield Cup Phenolic Std.	10
16	441P884528	9-5617	Shield Cup Std. Ceramic	10
17	441P884531	9-5780	Shield Cup-Crown (fits over 441P884532)	10
18	441P884544	9-5799	Shield Cup (fits over 441P884532)	10
N/S	316P450348	4-5034	Air and power cable 25' ( 7.5 mts ) - Hand torch	1
N/S	316P45035E	4-5035	Air and power cable 50' ( 15 mts ) - Hand torch	1
N/S	316P450368	4-5036	Air and power cable 25' ( 7.5 mts ) - Machine torch	1
N/S	316P45037E	4-5037	Air and power cable 50' ( 15 mts ) - Machine torch	1

CIRCLE CUTTING ATTACHMENT: See page no. 17



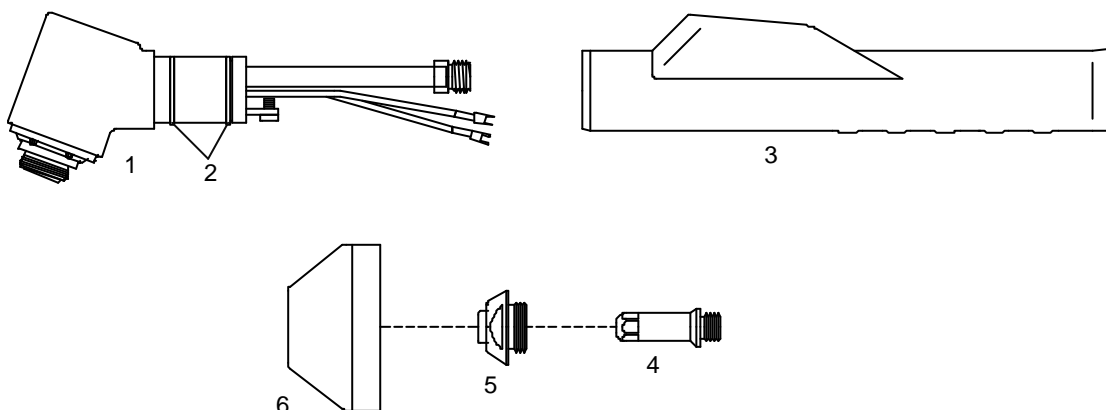


## PCH-52P Pak 1250XR

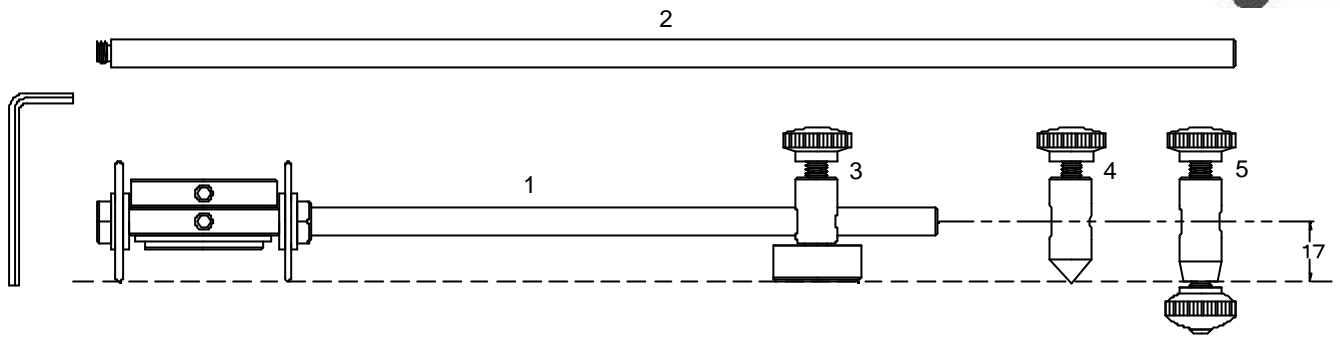


Pos.	Part no.	Ref. no.	Description	PU
1	441P884553	9-6358	70° Hand torch head PCH 52P	1
2	365P884005	8-0536	O-Ring	20
3	380P200392	9-5644E	Handgrip complete with microswitch ( incl. 9-5644, 9-5522, 8-4216 )	1
4	441P884520	9-5619	Electrode Air (plated), long life	10
	441P884534	9-5711	Electrode Multi Gas	10
5	441P884521	9-5702	Tip 35A - Ø 0,90 - .035	10
	441P884524	9-5707	Tip 70A - Ø 1,20 - .047	10
	441P884525	9-5708	Tip 105A - Ø 1,50 - .059	10
6	441P884554	9-6355	Shield Cup Std.	10
7	441P884555	9-6357	Shield Cup Standoff Crown (fits over 441P884554)	6

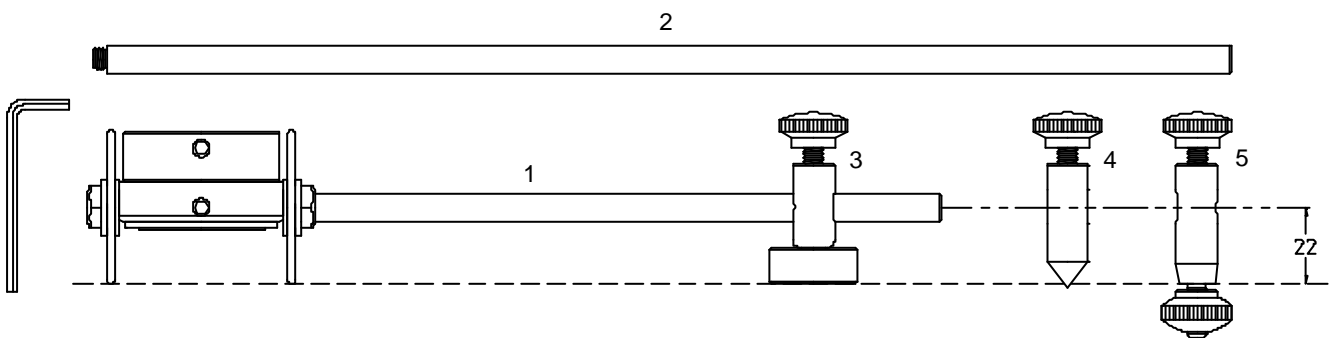
## PCH-53P Pak Master 100



Pos.	Part no.	Ref. no.	Description	PU
1	441P884550	9-6370	70° Hand torch head PCH 53P	1
2	365P884005	8-0536	O-Ring	20
3	380P200392	9-5644E	Handgrip complete with microswitch ( incl. 9-5644, 9-5522, 8-4216 )	1
4	441P884551	9-5898	Electrode Air	10
5	441P884552	9-5897	Tip 70A Air	10
6	441P884554	9-6355	Shield Cup Std.	10



Pos.	Part no.	Description
	441P884902	Circle cutting attachment for <b>PCH-52, PCH-53</b>
	441P884903	Cutting guide <b>PCH-52, PCH-53</b>
	441P884915	Circle cutting attachment for <b>PCH-10, PCH-25, PCH-25/38, PCH-26, PCH-28, PCH-35, PCH-40, PCH-75, PCH-76, PCH-100XL, PCH-60, PCH-80</b>
	441P101900	Cutting guide <b>PCH-10, PCH-25, PCH-25/38, PCH-26, PCH-28, PCH-35, PCH-40, PCH-75, PCH-76, PCH-100XL, PCH-60, PCH-80</b>
1	441P102980	Radius bar mm. 250
2	441P102981	Radius bar mm. 400
3	441P102986	Magnetic base assembly
4	441P102987	Free centering straight pin
5	441P102988	Straight locking pin



Pos.	Part no.	Description
	441P884900	Circle cutting attachment for <b>PCH-51</b>
	441P884901	Cutting guide for <b>PCH-51</b>
1	441P102980	Radius bar mm. 250
2	441P102981	Radius bar mm. 400
3	441P102970	Magnetic base assembly
4	441P102971	Free centering straight pin
5	441P102972	Straight locking pin

© Tbi Industries GmbH . All rights reserved. All data subject to change without notice. Copies, reprints and excerpts prohibited. Tbi\_06\_2005.



## Das gesamte Programm von TBI Industries The complete programm of TBI Industries



### MIG/MAG Schweißbrenner

- gas- und wassergekühlt
- Hand-, Push-Pull, Absaug- und Automatenbrenner

### MIG/MAG Welding torches

- gas and water cooled
- manual, push-pull, extraction and automatic torches

### WIG Schweißbrenner

- gas- und wassergekühlt
- Hand- und Automatenbrenner, Kaltdrahtzuführung

### TIG Welding torches

- gas and water cooled
- manual and automatic torches, wire feeding system



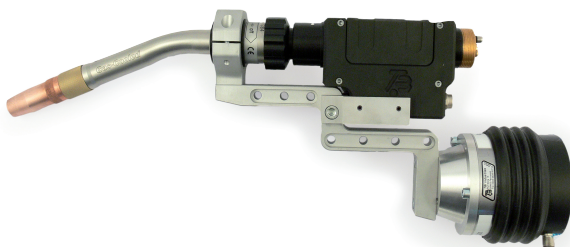
### Plasma Schneidbrenner

- gas- und wassergekühlt
- Hand- und Automatenbrenner

### Plasma cutting torches

- gas and water cooled
- manual and automatic torches

### Schweißzubehör Welding accessories



### MIG/MAG Roboterbrenner

- wassergekühlt
- adaptierbar an nahezu alle Roboter

### MIG/MAG Robo torches

- water cooled
- adaptable to almost all robots